

GPD[®]

'Always With You'

Turkish Manufacturer
Bathroom & Kitchen Faucets

2022 COLLECTION



MADE IN
TURKEY

WE INVEST RESOURCES IN THE CONTINUOUS IMPROVEMENT OF THE PRODUCT AND OF PROCESSING METHODS.
DUE TO THE PRINTING TECHNIQUE, THE COLOURS SHOWN MAY VARY FROM THE TRUE COLOUR OF THE FINISH.
BEFORE SUBMITTING AN ORDER, CONSULT OUR SALES NETWORK.



Turkish
Manufacturer
Bathroom &
Kitchen Faucets

2022 COLLECTION

'Always With You'

PRODUCTION
PROCESS



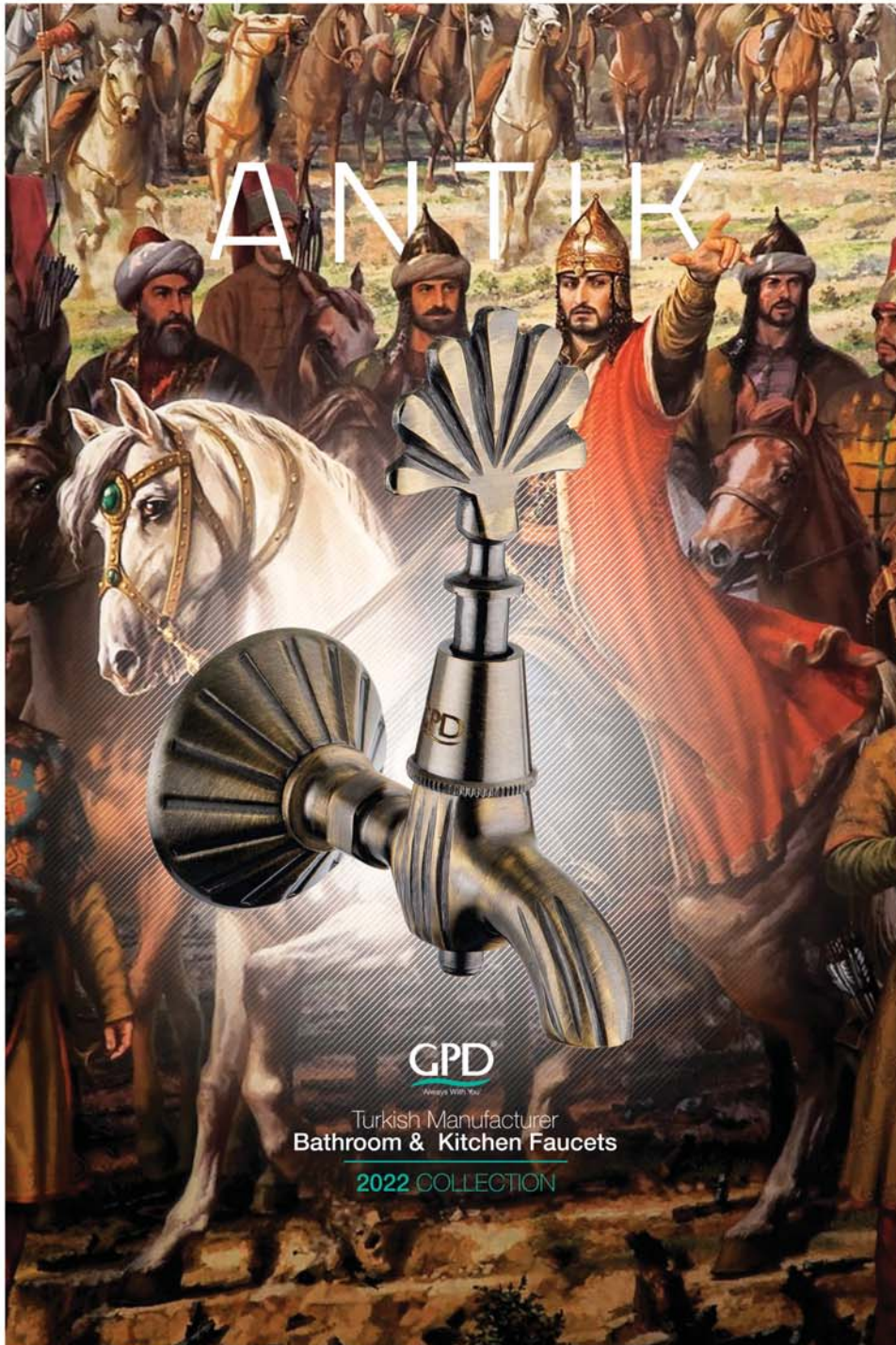
COLOURS & FINISHINES



History

Since 1962 being in the life of manufacturing Gul Pres Dokum Sanayi AS. with the brand name known as GPD has been established in the year 1978 has a deep rooted and significant place throughout the domestic and foreign markets for the production of various bathroom and kitchen armatures, taps and water, gas, radiator valves and unions produced with brass raw materials with hot pressing and die casting. GPD manufactures all products in it's own building located in Istanbul-Beylikduzu on total closed area of 12.000 m2 which has a contact and sales office in the same area location, Beylikduzu. our company that owns the certificate of TS ISO 9001:2015 Quality and TS ISO 10002:2014 Customer Satisfaction Management that is under the confirmation of TUV, continues the production in parallel of Quality Guarantee System conditions. The primary goals of our team are Total Quality, Customer Satisfaction and Modern Enterprising.

ANTIK	$\frac{10}{11}$
PEDRA	$\frac{12}{21}$
FUEGO	$\frac{22}{27}$
GILDO	$\frac{28}{37}$
QADRA	$\frac{38}{41}$
ATROS	$\frac{42}{47}$
FELIS	$\frac{48}{53}$
FLORUS	$\frac{54}{59}$
ESPINA	$\frac{60}{67}$
PROVIDO	$\frac{68}{71}$
KITCHEN	$\frac{72}{79}$
PHOTOCELL	$\frac{80}{87}$
RECESSED HOUSING	$\frac{88}{91}$
OVER PLASTER	$\frac{92}{103}$
CONCEALED CISTERN	$\frac{104}{105}$
BUTTONS	$\frac{106}{107}$
SUPPLEMENTARY	$\frac{108}{122}$



ANTIK

GPD
Always With You

Turkish Manufacturer
Bathroom & Kitchen Faucets

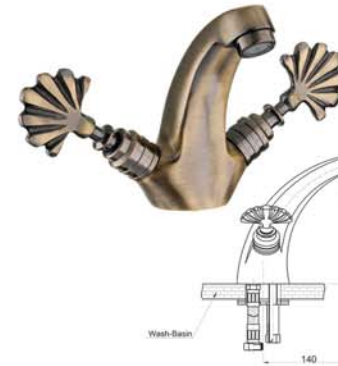
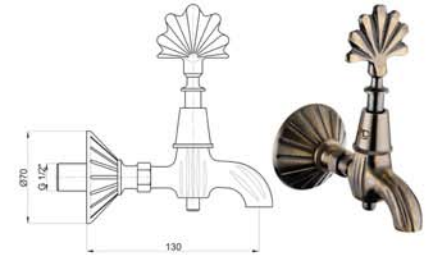
2022 COLLECTION

ANTIK

UMS 20 Long Tap

- Manual gasket
- Length of outlet is 130 mm
- Rosette diameter Ø70 mm
- Tap-wall connection size ½"
- Ideal working pressure 3-4 Bar
- Special surface plating, in form of antique

Surface: Bronze



TKB 20 Eagle Wash-Basin Armature

- Special water saving aerator (Bubble flow, with lime breaker, Flow rate:8lt/min.)
- Manual gasket
- Measurement of hot and cold water flex hose connection M10x1-1" (or ½") 40cm
- Length of outlet is 140 mm
- Height of outlet is 110 mm
- Ideal working pressure 3-4 Bar
- Special surface plating, in form of antique
- To prevent any damage which can be caused by the contaminants inside the fittings, filtered interval taps are recommended

Surface : Bronze

BNB 20 Bathroom Armature

- Manual gasket
- Rosette diameter Ø70 mm
- Length of outlet is 150 mm
- Armature connection threads ¾"
- Eccentric connection threads ¾"-½"
- Ideal working pressure 3-4 Bar
- Special surface plating, in form of antique

Surface : Bronze



PEDRA



Turkish Manufacturer
Bathroom & Kitchen Faucets

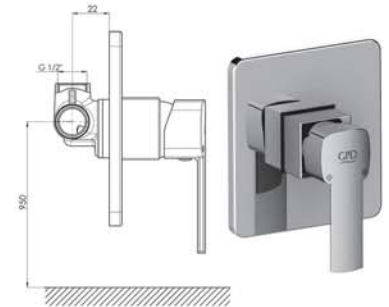
2022 COLLECTION

PEDRA

MAD 160 Embedded Shower Armature

- Special cartridge with heat and flow rate adjustment
- Compatible with all embedded shower head or with all handsets by using GGR04
- Connection dimension 1/2" (inlet-outlet)
- Installation under plaster
- Ideal working pressure 3-4 Bar
- To prevent any damage which can be caused by the contaminants inside the fittings, a filter at the entrance of the flat is recommended.

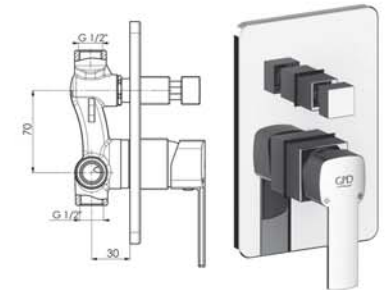
Cartridge Diameter : Ø35
Surface : Chrome



MAB 160 Embedded Bathroom Armature

- Exclusive design square rosette and square diverter handle, square cartridge cover
- Special aerator with water saving aerator 28*1 (Bubble flow, with lime breaker, Flow rate: 16 lt/min)
- Compatible with all embedded shower heads and with all handsets by using GGR04
- Length of outlet is 130 mm
- Measure of outlet connection 3/4" (can be converted to 1/2")
- Installation under plaster
- Ideal operation pressure is 3 - 4 Bar
- To prevent any damage which can be caused by the contaminants inside the fittings, a filter at the entrance of the flat is recommended.

Cartridge Diameter : Ø35
Surface : Chrome



MDA 160

Applique Embedded Wash-Basin Armature

- Special aerator (Bubble flow, with lime breaker, flow rate 8 lt /min)
- Length of outlet is 203 mm
- Installation under plaster
- Ideal operation pressure 3-4 bar
- To prevent any damage which can be caused by the contaminants inside the fittings, a filter at the entrance of the flat is recommended

Cartridge Diameter : Ø35
Surface : Chrome



MDAA 160



AST 160



ASTA 160

PEDRA



MLB160 Wash-Basin Armature

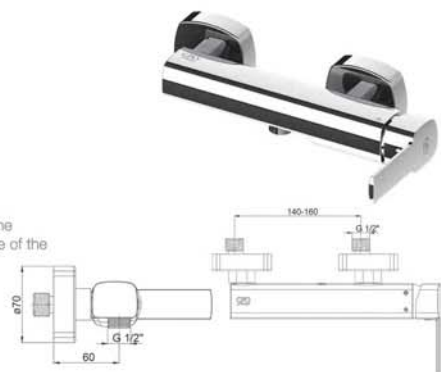
- Cache aerator (Bubble flow, with lime breaker, flow rate: 8 lt/min)
- Length of outlet is 119 mm
- Height of outlet is 122 mm
- Measurements of hot and cold water flex hose connection are M10x1 - 3/8" (or 1/2") 50 cm
- Ideal operation pressure 3-4 bar
- To prevent any damage which can be caused by the contaminants inside the fittings, a filtered interval tap is recommended.



Cartridge Diameter : Ø35
Surface : Chrome

MDB160 Shower Armature

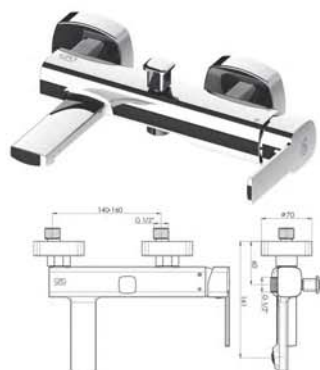
- Length of outlet is 60 mm
- Armature connection threads are 3/4"
- Eccentric connection threads are 3/4 - 1/2"
- Spiral hose threads are 1/2"
- Ideal operation pressure is 3 - 4 Bar
- To prevent any damage which can be caused by the contaminants inside the fittings, a filter at the entrance of the flat is recommended



Cartridge Diameter : Ø35
Surface : Chrome

MBB160 Bathroom Armature

- Cache aerator (Bubble flow, with lime breaker, Flow rate: 10,5 lit/min)
- Length of outlet 161 mm
- Armature connection threads are 3/4"
- Eccentric connection threads are 3/4" - 1/2"
- Spiral Hose connection threads are 1/2"
- Ideal operation pressure 3-4 Bar
- To prevent any damage which can be caused by the contaminants inside the fittings, a filter at the entrance of the flat is recommended



Cartridge Diameter : Ø35
Surface : Chrome

PEDRA

Turkish Manufacturer
Bathroom & Kitchen Faucets
2022 COLLECTION

MTL160 Monoblock Wash-Basin Armature

- Special aerator with water saving (Bubble flow, with lime breaker, Flow rate: 6lt/min)
- With swivel spout 360°
- Length of outlet is 148.5 mm
- Height of outlet is 174.5 mm
- Measurements of Hot & Cold water flex hose connection are M10x1-3/8" (or 1/2") 50cm
- Ideal working pressure 3-4 Bar
- To prevent any damage which can be caused by the contaminants inside the fittings, filtered interval taps are recommended



Cartridge Diameter : Ø35
Surface : Chrome



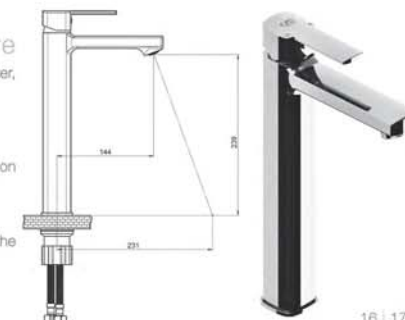
MES160 Helical Sink Armature

- Special aerator with water saving (Bubble flow, with lime breaker, Flow rate: 6.5lt/min)
- With swivel spout 180°
- Length of outlet is 190 mm
- Height of outlet is 270 mm
- Removable hand shower with 2 functions
- 150 cm flex hose
- Hand shower function change with rotating movement by aerator
- Water cut feature when holding the button on the hand shower while the mixer is in the open position
- Measurements of Hot&Cold water flex hose connection are M10x1-3/8" (or 1/2") 50cm
- Ideal working pressure 3-4 Bar
- To prevent any damage which can be caused by the contaminants inside the fittings, filtered interval taps are recommended

Cartridge Diameter : Ø35
Surface : Chrome

MSL 160 Over Table Wash-Basin Armature

- Special water saving aerator (Bubble flow, with lime breaker, Flow rate: 8 lt/min)
- Long height to be used at Over Table Wash-Basins
- Length of outlet is 144mm
- Height of outlet is 239mm
- Measurements of Hot & Cold water flex hose connection are M10x1- 1/2" (or 3/4") 40 cm
- Ideal operation pressure is 3 - 4 Bar
- To prevent any damage which can be caused by the contaminants inside the fittings, a filtered sub tap at the entrance of the flat is recommended



Cartridge Diameter : Ø35
Surface : Chrome

MDA 160

Applique Embedded Wash-Basin Armature

- Special aerator (Bubble flow, with lime breaker, flow rate 8 lt./min)
- Length of outlet is 203 mm
- Installation under plaster
- Ideal operation pressure 3-4 bar
- To prevent any damage which can be caused by the contaminants inside the fittings, a filter at the entrance of the flat is recommended

Cartridge Diameter : Ø35
Surface : Chrome



MDAA 160



AST 160



ASTA 160

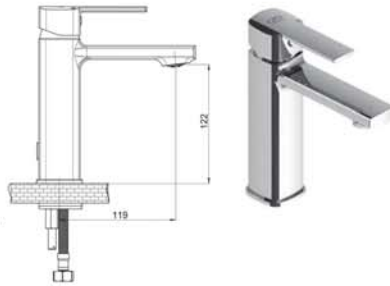
PEDRA



MLB160

Wash-Basin Armature

- Cache aerator (Bubble flow, with lime breaker, flow rate: 8 l/min)
- Length of outlet is 119 mm
- Height of outlet is 122 mm
- Measurements of hot and cold water flex hose connection are M10x1 - 3/8" (or 1/2") 50 cm
- Ideal operation pressure 3-4 bar
- To prevent any damage which can be caused by the contaminants inside the fittings, a filtered interval tap is recommended.

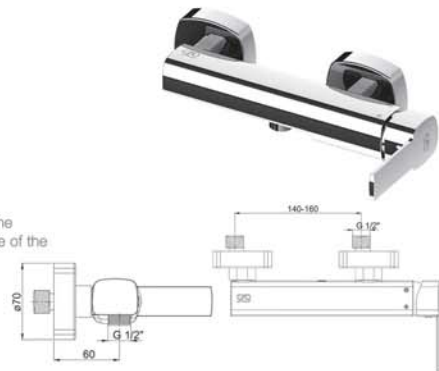


Cartridge Diameter : Ø35
Surface : Chrome

MDB160

Shower Armature

- Length of outlet is 60 mm
- Armature connection threads are 3/4"
- Eccentric connection threads are 3/4" - 1/2"
- Spiral hose threads are 1/2"
- Ideal operation pressure is 3 - 4 Bar
- To prevent any damage which can be caused by the contaminants inside the fittings, a filter at the entrance of the flat is recommended

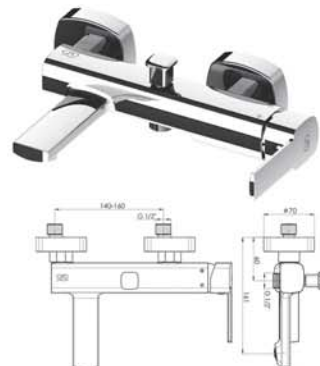


Cartridge Diameter : Ø35
Surface : Chrome

MBB160

Bathroom Armature

- Cache aerator (Bubble flow, with lime breaker, Flow rate: 10,5 lit/min)
- Length of outlet 161 mm
- Armature connection threads are 3/4"
- Eccentric connection threads are 3/4" - 1/2"
- Spiral Hose connection threads are 1/2"
- Ideal operation pressure 3-4 Bar
- To prevent any damage which can be caused by the contaminants inside the fittings, a filter at the entrance of the flat is recommended



Cartridge Diameter : Ø35
Surface : Chrome

PEDRA

Turkish Manufacturer
Bathroom & Kitchen Faucets
2022 COLLECTION

MTL160

Monoblock Wash-Basin Armature

- Special aerator with water saving (Bubble flow, with lime breaker, Flow rate: 6lit/min)
- With swivel spout 360°
- Length of outlet is 148.5 mm
- Height of outlet is 174.5 mm
- Measurements of Hot & Cold water flex hose connection are M10x1-3/8" (or 1/2") 50cm
- Ideal working pressure 3-4 Bar
- To prevent any damage which can be caused by the contaminants inside the fittings, filtered interval taps are recommended



Cartridge Diameter : Ø35
Surface : Chrome



MES160

Helical Sink Armature

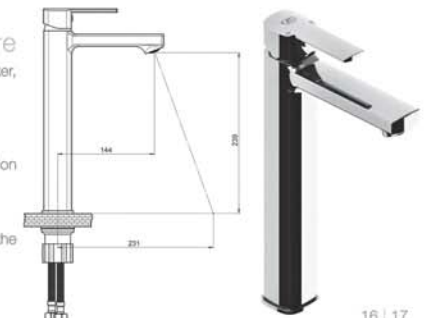
- Special aerator with water saving (Bubble flow, with lime breaker, Flow rate: 6.5l/min)
- With swivel spout 180°
- Length of outlet is 190 mm
- Height of outlet is 270 mm
- Removable hand shower with 2 functions
- 150 cm flex hose
- Hand shower function change with rotating movement by aerator
- Water cut feature when holding the button on the hand shower while the mixer is in the open position
- Measurements of Hot&Cold water flex hose connection are M10x1-3/8" (or 1/2") 50cm
- Ideal working pressure 3-4 Bar
- To prevent any damage which can be caused by the contaminants inside the fittings, filtered interval taps are recommended

Cartridge Diameter : Ø35
Surface : Chrome

MSL 160

Over Table Wash-Basin Armature

- Special water saving aerator (Bubble flow, with lime breaker, Flow rate: 8 lit/min)
- Long height to be used at Over Table Wash-Basins
- Length of outlet is 144mm
- Height of outlet is 239mm
- Measurements of Hot & Cold water flex hose connection are M10x1 - 1/2" (or 1/2") 40 cm
- Ideal operation pressure is 3 - 4 Bar
- To prevent any damage which can be caused by the contaminants inside the fittings, a filtered sub tap at the entrance of the flat is recommended



Cartridge Diameter : Ø35
Surface : Chrome

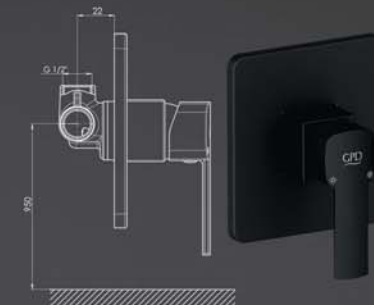
PEDRA
BLACK SERIES



MAD 160-S
Embedded Shower Armature

- Special cartridge with heat and flow rate adjustment
- Compatible with all embedded shower head or with all handsets by using GGR04
- Connection dimension 1/2" (inlet-outlet)
- Installation under plaster
- Ideal working pressure 3-4 Bar
- To prevent any damage which can be caused by the contaminants inside the fittings, a filter at the entrance of the flat is recommended.

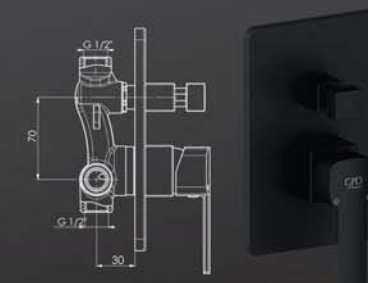
Cartridge Diameter : Ø35
Surface : Black



MAB 160-S
Embedded Bathroom Armature

- Exclusive design square rosette and square diverter handle, square cartridge cover
- Special aerator with water saving aerator 28*1 (Bubble flow, with lime breaker, Flow rate: 16 lt/min)
- Compatible with all embedded shower heads and with all handsets by using GGR04
- Length of outlet is 130 mm
- Measure of outlet connection 3/4" (can be converted to 1/2")
- Installation under plaster
- Ideal operation pressure is 3 - 4 Bar
- To prevent any damage which can be caused by the contaminants inside the fittings, a filter at the entrance of the flat is recommended.

Cartridge Diameter : Ø35
Surface : Black



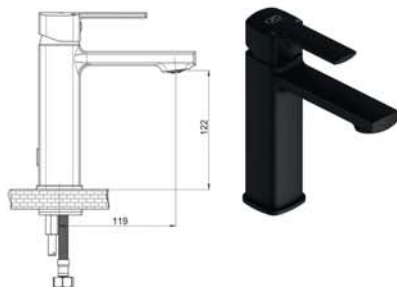
PEDRA



MLB 160-S

Wash-Basin Armature

- Cache aerator (Bubble flow, with lime breaker, flow rate: 8 lt/min)
- Length of outlet is 119 mm
- Height of outlet is 122 mm
- Measurements of hot and cold water flex hose connection are M10x1 - 3/8" (or 1/2") 50 cm
- Ideal operation pressure 3-4 bar
- To prevent any damage which can be caused by the contaminants inside the fittings, a filtered interval tap is recommended.

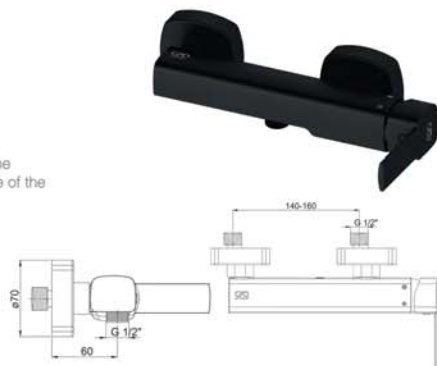


Cartridge Diameter : Ø35
Surface : Black

MDB 160-S

Shower Armature

- Length of outlet is 60 mm
- Armature connection threads are 3/4"
- Eccentric connection threads are 3/4" - 1/2"
- Spiral hose threads are 1/2"
- Ideal operation pressure is 3 - 4 Bar
- To prevent any damage which can be caused by the contaminants inside the fittings, a filter at the entrance of the flat is recommended



Cartridge Diameter : Ø35
Surface : Black

MBB 160-S

Bathroom Armature

- Cache aerator (Bubble flow, with lime breaker, Flow rate: 10,5 lt/min)
- Length of outlet 161 mm
- Armature connection threads are 3/4"
- Eccentric connection threads are 3/4" - 1/2"
- Spiral Hose connection threads are 1/2"
- Ideal operation pressure 3-4 Bar
- To prevent any damage which can be caused by the contaminants inside the fittings, a filter at the entrance of the flat is recommended



Cartridge Diameter : Ø35
Surface : Black

PEDRA

Turkish Manufacturer
Bathroom & Kitchen Faucets
2022 COLLECTION

MTL 160-S

Monoblock Wash-Basin Armature

- Special aerator with water saving (Bubble flow, with lime breaker, Flow rate: 6lt/min)
- With swivel spout 360°
- Length of outlet is 148.5 mm
- Height of outlet is 174.5 mm
- Measurements of Hot & Cold water flex hose connection are M10x1-3/8" (or 1/2") 50cm
- Ideal working pressure 3-4 Bar
- To prevent any damage which can be caused by the contaminants inside the fittings, filtered interval taps are recommended



Cartridge Diameter : Ø35
Surface : Black



MES 160-S

Helical Sink Armature

- Special aerator with water saving (Bubble flow, with lime breaker, Flow rate: 6.5lt/min)
- With swivel spout 180°
- Length of outlet is 190 mm
- Height of outlet is 270 mm
- Removable hand shower with 2 functions
- 150 cm flex hose
- Hand shower function change with rotating movement by aerator
- Water cut feature when holding the button on the hand shower while the mixer is in the open position
- Measurements of Hot&Cold water flex hose connection are M10x1-3/8" (or 1/2") 50cm
- Ideal working pressure 3-4 Bar
- To prevent any damage which can be caused by the contaminants inside the fittings, filtered interval taps are recommended

Cartridge Diameter : Ø35
Surface : Black

MSL 160-S

Over Table Wash-Basin Armature

- Special water saving aerator (Bubble flow, with lime breaker, Flow rate: 8 lt/min)
- Long height to be used at Over Table Wash-Basins
- Length of outlet is 144mm
- Height of outlet is 239mm
- Measurements of Hot & Cold water flex hose connection are M10x1- 1" (or 1/2") 40 cm
- Ideal operation pressure is 3 - 4 Bar
- To prevent any damage which can be caused by the contaminants inside the fittings, a filtered sub tap at the entrance of the flat is recommended



Cartridge Diameter : Ø35
Surface : Black



DISCOVER THE DEFINITION OF BEAUTIFUL

GPD'S EXCLUSIVE BATHROOM COLLECTION OFFERS EVERY ELEMENT YOU NEED TO SEE THE BATHROOM OF YOUR DREAMS BECOME A REALITY. COUNTERTOP INSTALLATION FAUCETS TO PRODUCE A UNIQUE, ONE-OF-A-KIND BATHROOM. OUR PRODUCTS UNDERGO METICULOUS INSPECTION TO EXCEED INDUSTRY STANDARDS. THIS ENSURES THAT YOUR SPACE WILL NOT ONLY LOOK BEAUTIFUL, BUT EVERYTHING INSIDE IT WILL FUNCTION OPTIMALLY AS WELL.

GPD

Turkey's Manufacturer
Bathroom & Kitchen Faucets
2022 COLLECTION

FUEGO



GPD
Turkish Manufacturer

Turkish Manufacturer
Bathroom & Kitchen Faucets

2022 COLLECTION

FUEGO

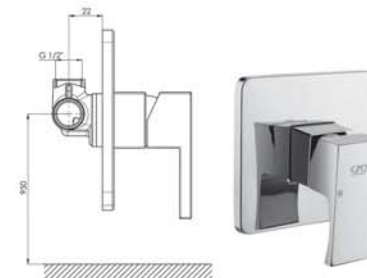
MAD 105

Embedded Shower Armature

- Exclusive design square rosette and square diverter handle, square cartridge cover
- Special cartridge with heat and flow rate adjustment
- Compatible with all embedded shower head or with all handsets by using GGR04
- Connection dimension 1/2" (internal Thread)
- Installation under plaster
- Ideal working pressure 3-4 Bar
- To prevent any damage which can be caused by the contaminants inside the fittings, a filter at the entrance of the flat is recommended.

Cartridge Diameter : Ø35

Surface : Chrome



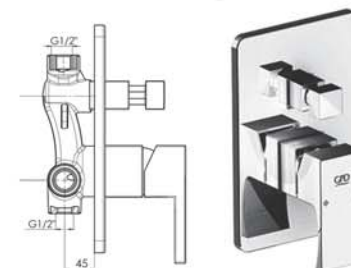
MAB 105

Embedded Bathroom Armature

- Special aerator with water saving aerator 28°1 (Bubble flow, with lime breaker, Flow rate: 16 lt/min)
- Compatible with all embedded shower heads and with all handsets by using GGR04
- Length of outlet is 140 mm
- Measure of outlet connection 3/4" (can be converted to 1/2")
- Installation under plaster
- Ideal operation pressure is 3 - 4 Bar
- To prevent any damage which can be caused by the contaminants inside the fittings, a filter at the entrance of the flat is recommended.

Cartridge Diameter : Ø35

Surface : Chrome



MDA 105
Applique Embedded Wash-Basin Armature

- Special aerator (Bubble flow, with lime breaker, flow rate 8 lt /min)
- Length of outlet is 203 mm
- Installation under plaster
- Ideal operation pressure 3-4 bar
- To prevent any damage which can be caused by the contaminants inside the fittings, a filter at the entrance of the flat is recommended

Cartridge Diameter : Ø35

Surface : Chrome



MDAA 105



AST 105



ASTA 105

FUEGO

GPD

MLB 105
Wash-Basin Armature



FUEGO

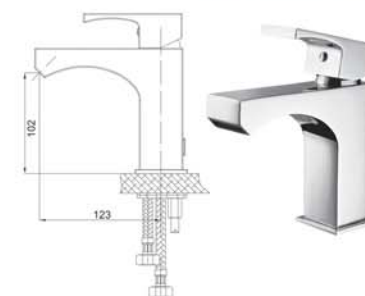
Turkish Manufacturer
Bathroom & Kitchen Faucets

2022 COLLECTION

MLB 105
Wash-Basin Armature

- Special aerator with water saving (Bubble flow, with lime breaker)
- Length of outlet is 123 mm
- Height of outlet is 102 mm
- Measurements of hot and cold water flex hose connection are M10x1-3/8" (or 1/2")40 cm
- Ideal operation pressure 3-4 bar
- To prevent any damage which can be caused by the contaminants inside the fittings, a filtered interval tap is recommended

Cartridge Diameter : Ø35
Surface : Chrome



MTE 105
Monoblock Sink Armature

- Special rectangle aerator relevant with body design (Bubble flow, with lime breaker)
- Special cartridge with heat and flow rate adjustment
- With swivel spout
- Length of outlet is 168 mm
- Height of outlet is 250 mm
- Measurements of hot and cold water flex hose connection are M10x1-3/8" (or 1/2")40 cm
- Ideal operation pressure 3-4 bar
- To prevent any damage which can be caused by the contaminants inside the fittings, a filtered interval tap is recommended

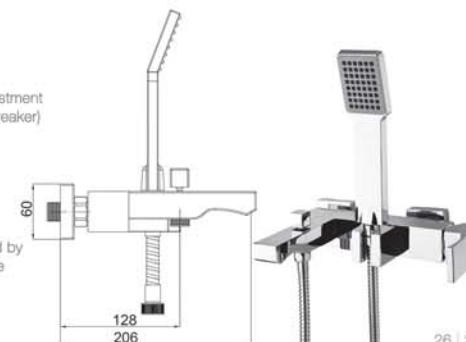
Cartridge Diameter : Ø35
Surface : Chrome



MBB 105
Bathroom Armature

- Outlet with natural flow
- Special cartridge with heat and flow rate adjustment
- with special design hand shower (with lime breaker)
- with 150 cm spiral hose (1/2"-1/2")
- Length of outlet 206 mm
- Armature connection threads are 3/4"
- Eccentric connection threads are 3/4" - 1/2"
- Spiral Hose connection threads are 1/2"
- Ideal operation pressure 3-4 Bar
- To prevent any damage which can be caused by the contaminants inside the fittings, a filter at the entrance of the flat is recommended

Cartridge Diameter : Ø35
Surface : Chrome



GILDO



GPD

Turkish Manufacturer
Bathroom & Kitchen Faucets

2022 COLLECTION

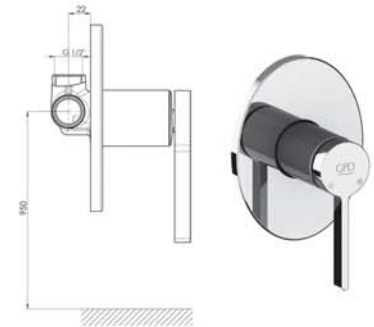
GILDO

MAD 165

Embedded Shower Armature

- Special cartridge with heat and flow rate adjustment
- Compatible with all embedded shower head or with all handsets by using GGR05
- Connection dimension 1/2" (Internal Thread)
- Installation under plaster
- Ideal working pressure 3-4 Bar
- To prevent any damage which can be caused by the contaminants inside the fittings, a filter at the entrance of the flat is recommended.

Cartridge Diameter : Ø35
Surface : Chrome

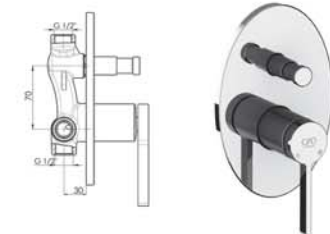


MAB 165

Embedded Bathroom Armature

- Special aerator with water saving (Bubble flow, with lime breaker, Flow rate: 16 lt/min)
- Compatible with all embedded shower heads and with all handsets by using GGR05
- Length of outlet is 129,5 mm
- Measure of outlet connection 3/4" (can be converted to 1/2")
- Installation under plaster
- Ideal operation pressure is 3 - 4 Bar
- To prevent any damage which can be caused by the contaminants inside the fittings, a filter at the entrance of the flat is recommended.

Cartridge Diameter : Ø35
Surface : Chrome

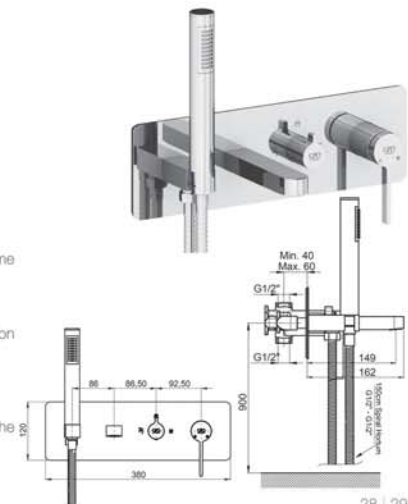


MKA165

Embedded Mix Combined Bathroom Armature

- Special aerator with water saving (Bubble flow, with lime breaker, Flow rate: 14 lt/min)
- Length of outlet is 149 mm
- 3way ceramic diverter
- Mechanical design to tolerate up to 20 mm in installation error
- With plastic protection cover
- Ideal operation pressure is 3 - 4 Bar
- To prevent any damage which can be caused by the contaminants inside the fittings, a filter at the entrance of the flat is recommended.

Cartridge Diameter : Ø35
Surface : Chrome



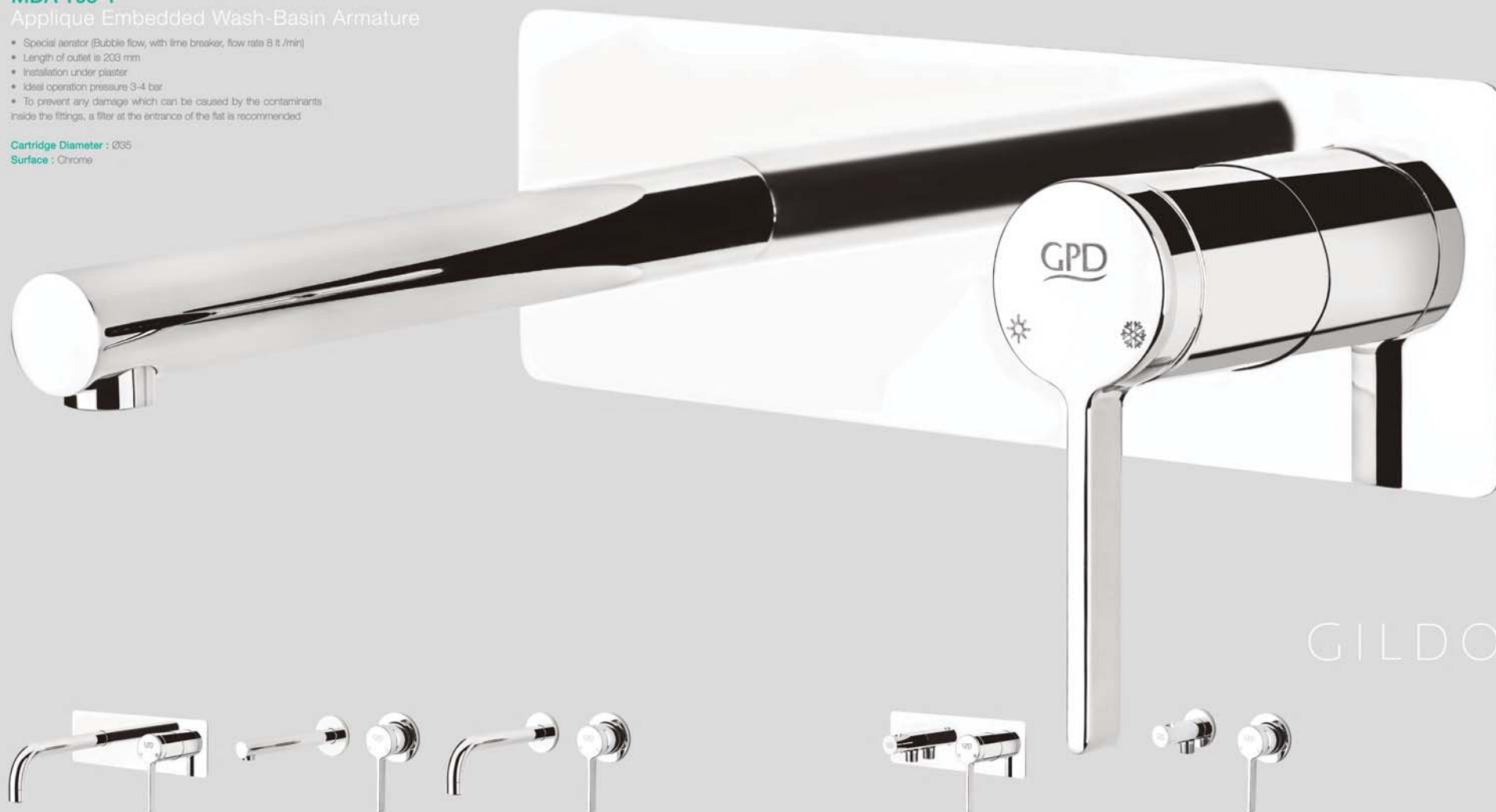
MDA 165-1

Applique Embedded Wash-Basin Armature

- Special aerator (Bubble flow, with line breaker, flow rate 8 lt /min)
- Length of outlet is 203 mm
- Installation under plaster
- Ideal operation pressure 3-4 bar
- To prevent any damage which can be caused by the contaminants inside the fittings, a filter at the entrance of the flat is recommended

Cartridge Diameter : Ø35

Surface : Chrome



MDA 165-2



MDAA 165-1



MDAA 165-2



AST 165

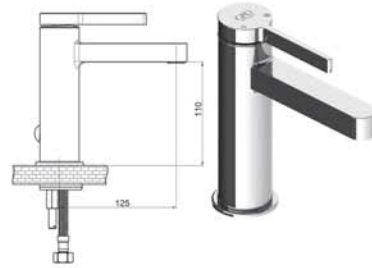


ASTA 165

MLB 165
Wash-Basin Armature

- Special aerator with water saving (Bubble flow, with lime breaker, Flow rate: 6 lt/min)
- Length of outlet is 125 mm
- Height of outlet is 110 mm
- Measurements of hot and cold water flex hose connection are M10x1-1" (or 1/2") 50 cm
- Ideal operation pressure 3-4 bar
- To prevent any damage which can be caused by the contaminants inside the fittings, a filtered interval tap is recommended

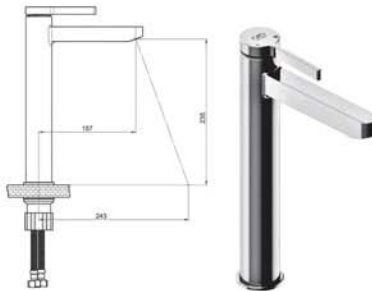
Cartridge Diameter : Ø35
Surface : Chrome



MSL 165
Over Table Wash-Basin Armature

- Special water saving aerator (Bubble flow, with lime breaker, Flow rate: 8 lt/min)
- Long height to be used at Over Table Wash-Basins
- Length of outlet is 157 mm
- Height of outlet is 235 mm
- Measurements of Hot & Cold water flex hose connection are M10x1-1" (or 3/8") 70 cm
- Ideal operation pressure is 3 - 4 Bar
- To prevent any damage which can be caused by the contaminants inside the fittings, a filtered sub tap at the entrance of the flat is recommended

Cartridge Diameter : Ø35
Surface : Chrome



MTL 165
Monoblock Wash-Basin Armature

- Special aerator with water saving (Bubble flow, with lime breaker, Flow rate: 8 lt/min)
- With swivel spout 360°
- Length of outlet is 142 mm
- Height of outlet is 165 mm
- Measurements of Hot & Cold water flex hose connection are M10x1-3/8" (or 1/2") 50cm
- Ideal working pressure 3-4 Bar
- To prevent any damage which can be caused by the contaminants inside the fittings, filtered interval taps are recommended

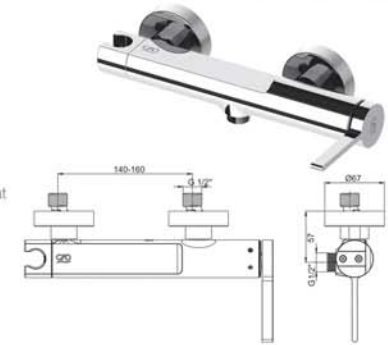
Cartridge Diameter : Ø35
Surface : Chrome



MDB165
Shower Armature

- Length of outlet is 57 mm
- Armature connection threads are 3/4"
- Eccentric connection threads are 3/4 - 1/2"
- Spiral hose threads are 1/2"
- Ideal operation pressure is 3 - 4 Bar
- To prevent any damage which can be caused by the contaminants inside the fittings, a filter at the entrance of the flat is recommended

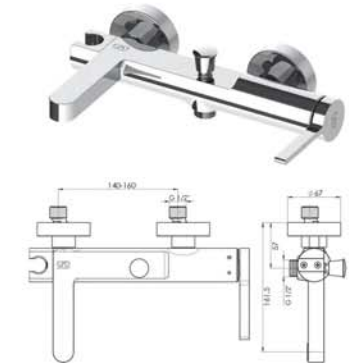
Cartridge Diameter : Ø35
Surface : Chrome



MBB165
Bathroom Armature

- Special aerator (Bubble flow, with lime breaker, Flow rate: 14 lt/min)
- Length of outlet 161.5 mm
- Armature connection threads are 3/4"
- Eccentric connection threads are 3/4 - 1/2"
- Spiral Hose connection threads are 1/2"
- Ideal operation pressure 3-4 Bar
- To prevent any damage which can be caused by the contaminants inside the fittings, a filter at the entrance of the flat is recommended

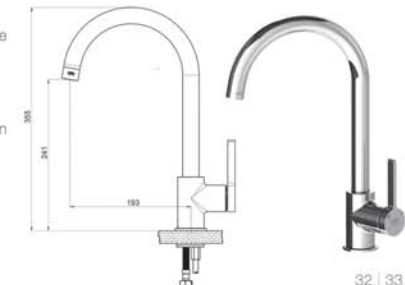
Cartridge Diameter : Ø35
Surface : Chrome



MTE 165
Monoblock Sink Armature

- Special aerator with water saving (Bubble flow, with lime breaker, Flow rate: 8 lt/min)
- With swivel spout
- Length of outlet is 193 mm
- Height of outlet is 241 mm
- Measurements of hot and cold water flex hose connection are M10x1-1" (or 1/2") 40 cm
- Ideal operation pressure 3-4 bar
- To prevent any damage which can be caused by the contaminants inside the fittings, a filtered interval tap is recommended

Cartridge Diameter : Ø35
Surface : Chrome



GILDO COLOR SERIES



GILDO

Turkish Manufacturer
Bathroom & Kitchen Faucets
2022 COLLECTION

MKA 165 Embedded Mix Combined Bathroom Armature

- Special aerator with water saving (Bubble flow, with lime breaker, Flow rate: 14 lt/min)
- Length of outlet is 149 mm
- 3way ceramic diverter
- Mechanical design to tolerate up to 20 mm in installation error
- With plastic protection cover
- Ideal operation pressure is 3 - 4 Bar

Cartridge Diameter : Ø35



MKA 165-S-R

MKA 165-K-R

MKA 165-S

MBB 165-K-R Bathroom Armature

- Special aerator (Bubble flow, with lime breaker, Flow rate: 14 lt/min)
- Length of outlet 161.5 mm
- Armature connection threads are 3/4"
- Eccentric connection threads are 3/4" - 1/2"
- Spiral Hose connection threads are 1/2"
- Ideal operation pressure 3-4 Bar
- To prevent any damage which can be caused by the contaminants inside the fittings, a filter at the entrance of the flat is recommended



Cartridge Diameter : Ø35



MBB 165-S-R

MBB 165-S

MBB 165-K-S

Monoblock Wash-Basin Armature

- Special aerator with water saving (Bubble flow, with lime breaker, Flow rate:6lt/min)
- With swivel spout 360°
- Length of outlet is 148.5 mm
- Height of outlet is 174.5 mm
- Measurements of Hot & Cold water flex hose connection are M10x1-3/8" (or 1/2") 50cm
- Ideal working pressure 3-4 Bar
- To prevent any damage which can be caused by the contaminants inside the fittings, filtered interval taps are recommended

Cartridge Diameter : Ø35



Monoblock Sink Armature

- Special aerator with water saving (Bubble flow, with lime breaker, Flow rate: 8 lt/min)
- With swivel spout
- Length of outlet is 193 mm
- Height of outlet is 241 mm
- Measurements of hot and cold water flex hose connection are M10x1-1" (or 1/2")40 cm
- Ideal operation pressure 3-4 bar
- To prevent any damage which can be caused by the contaminants inside the fittings, a filtered interval tap is recommended

Cartridge Diameter : Ø35



Wash-Basin Armature

- Special aerator with water saving (Bubble flow, with lime breaker, Flow rate:6 lt/min)
- Length of outlet is 125 mm
- Height of outlet is 110 mm
- Measurements of hot and cold water flex hose connection are M10x1-1" (or 1/2")50 cm
- Ideal operation pressure 3-4 bar
- To prevent any damage which can be caused by the contaminants inside the fittings, a filtered interval tap is recommended

Cartridge Diameter : Ø35



Over Table Wash-Basin Armature

- Special water saving aerator (Bubble flow, with lime breaker, Flow rate: 8 lt/min)
- Long height to be used at Over Table Wash-Basins
- Length of outlet is 157mm
- Height of outlet is 235mm
- Measurements of Hot & Cold water flex hose connection are M10x1-1" (or 3/8") 70 cm
- Ideal operation pressure is 3 - 4 Bar
- To prevent any damage which can be caused by the contaminants inside the fittings, a filtered sub tap at the entrance of the flat is recommended

Cartridge Diameter : Ø35





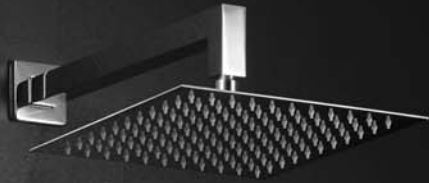
CONFIGURATIONS TO FIT ANY LIFESTYLE

GPD FAUCETS BEGIN WITH DESIGN INSPIRATION AND BECOME THE FINAL ELEMENT THAT ADDS A SPLASH OF STYLE AND COLOR TO YOUR HOME. ALTHOUGH EACH FAUCET IS ABSOLUTELY STUNNING ON THE OUTSIDE, THEIR BEAUTY RUNS DEEP — CRAFTED OF ONLY THE HIGHEST QUALITY MATERIALS BOTH INSIDE AND OUT, WITH QUALITY MATERIALS AND FUNCTIONALITY THAT MAKE EVERYDAY TASKS ANYTHING BUT ORDINARY.

GPD

Turkey Manufacturer
Bathroom & Kitchen Faucets
2022 COLLECTION

QADRA



Turkish Manufacturer
Bathroom & Kitchen Faucets

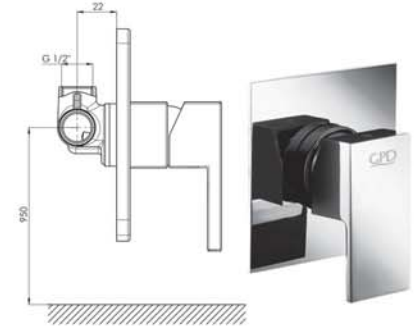
2022 COLLECTION

QADRA

MAD 15 Embedded Shower Armature

- Special cartridge with heat and flow rate adjustment
- Compatible with all embedded shower head or with all handsets by using GGR04
- Connection dimension 1/2" (inlet-outlet)
- Installation under plaster
- Ideal working pressure 3-4 Bar
- To prevent any damage which can be caused by the contaminants inside the fittings, a filter at the entrance of the flat is recommended.

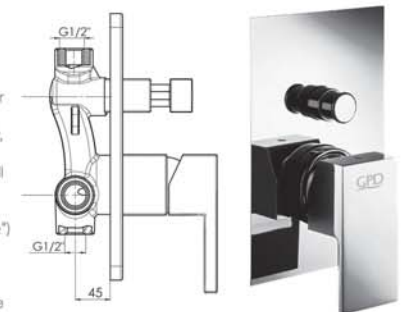
Cartridge Diameter : Ø35
Surface : Chrome



MAB 15 Embedded Bathroom Armature

- Exclusive design square rosette and square diverter handle, square cartridge cover
- Special aerator with water saving aerator 28*1 (Bubble flow, with lime breaker, Flow rate: 16 l/min)
- Compatible with all embedded shower heads and with all handsets by using GGR04
- Length of outlet is 130 mm
- Measure of outlet connection 3/4" (can be converted to 1/2")
- Installation under plaster
- Ideal operation pressure is 3 - 4 Bar
- To prevent any damage which can be caused by the contaminants inside the fittings, a filter at the entrance of the flat is recommended.

Cartridge Diameter : Ø35
Surface : Chrome



MDAA 15
Applique Embedded Wash-Basin Armature

- Special aerator (Bubble flow, with line breaker)
- Length of outlet is 203 mm
- Installation under plaster in 2 part
- Ideal operation pressure 3-4 bar
- To prevent any damage which can be caused by the contaminants inside the fittings, a filter at the entrance of the flat is recommended

Cartridge Diameter : Ø35
Surface : Chrome



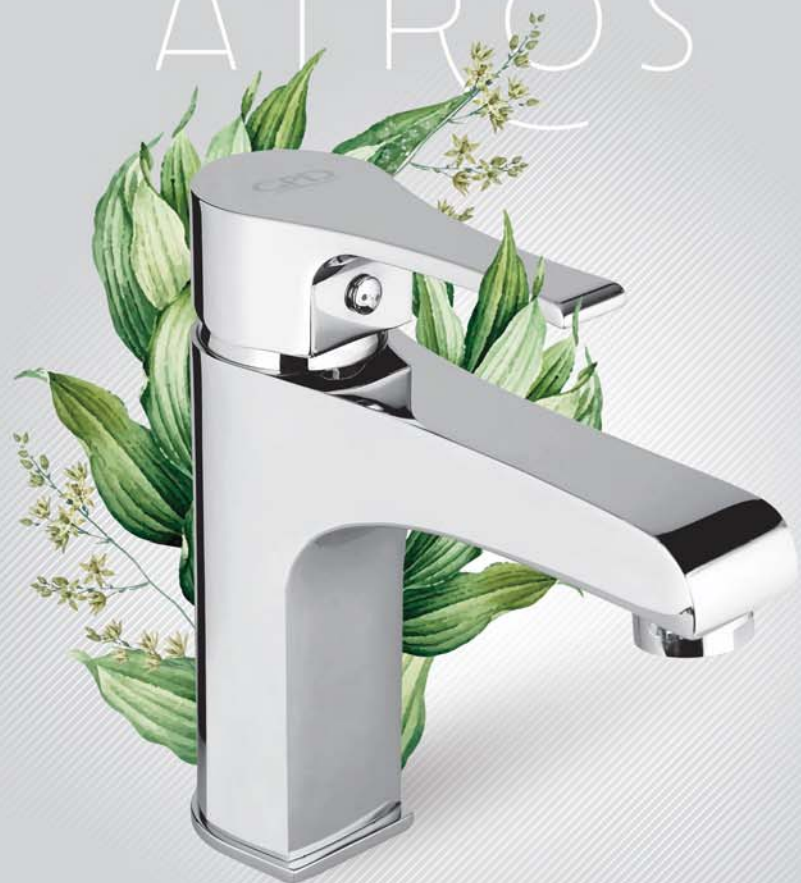
MDA 15

AST 15



ASTA 15

ATROS



Turkish Manufacturer
Bathroom & Kitchen Faucets

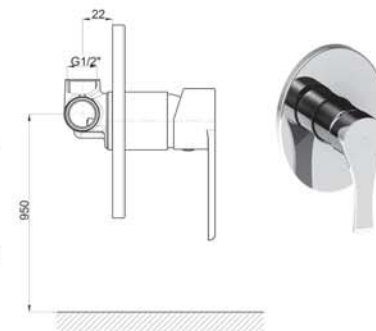
2022 COLLECTION

ATROS

MAD 65 Embedded Shower Armature

- Special cartridge with heat and flow rate adjustment
- Compatible with all embedded shower head or with all handsets by using GGR05
- Connection dimension 1/2" (Internal Thread)
- Installation under plaster
- Ideal working pressure 3-4 Bar
- To prevent any damage which can be caused by the contaminants inside the fittings, a filter at the entrance of the flat is recommended.

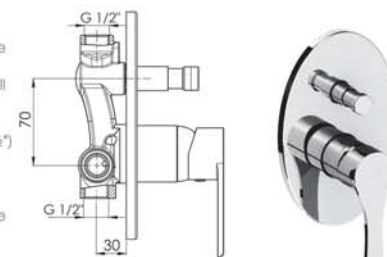
Cartridge Diameter : Ø35
Surface : Chrome



MAB 65 Embedded Bathroom Armature

- Special aerator with water saving (Bubble flow, with lime breaker, Flow rate: 16 lt/min)
- Compatible with all embedded shower heads and with all handsets by using GGR05
- Length of outlet is 129.5 mm
- Measure of outlet connection 3/4" (can be converted to 1/2")
- Installation under plaster
- Ideal operation pressure is 3 - 4 Bar
- To prevent any damage which can be caused by the contaminants inside the fittings, a filter at the entrance of the flat is recommended.

Cartridge Diameter : Ø35
Surface : Chrome

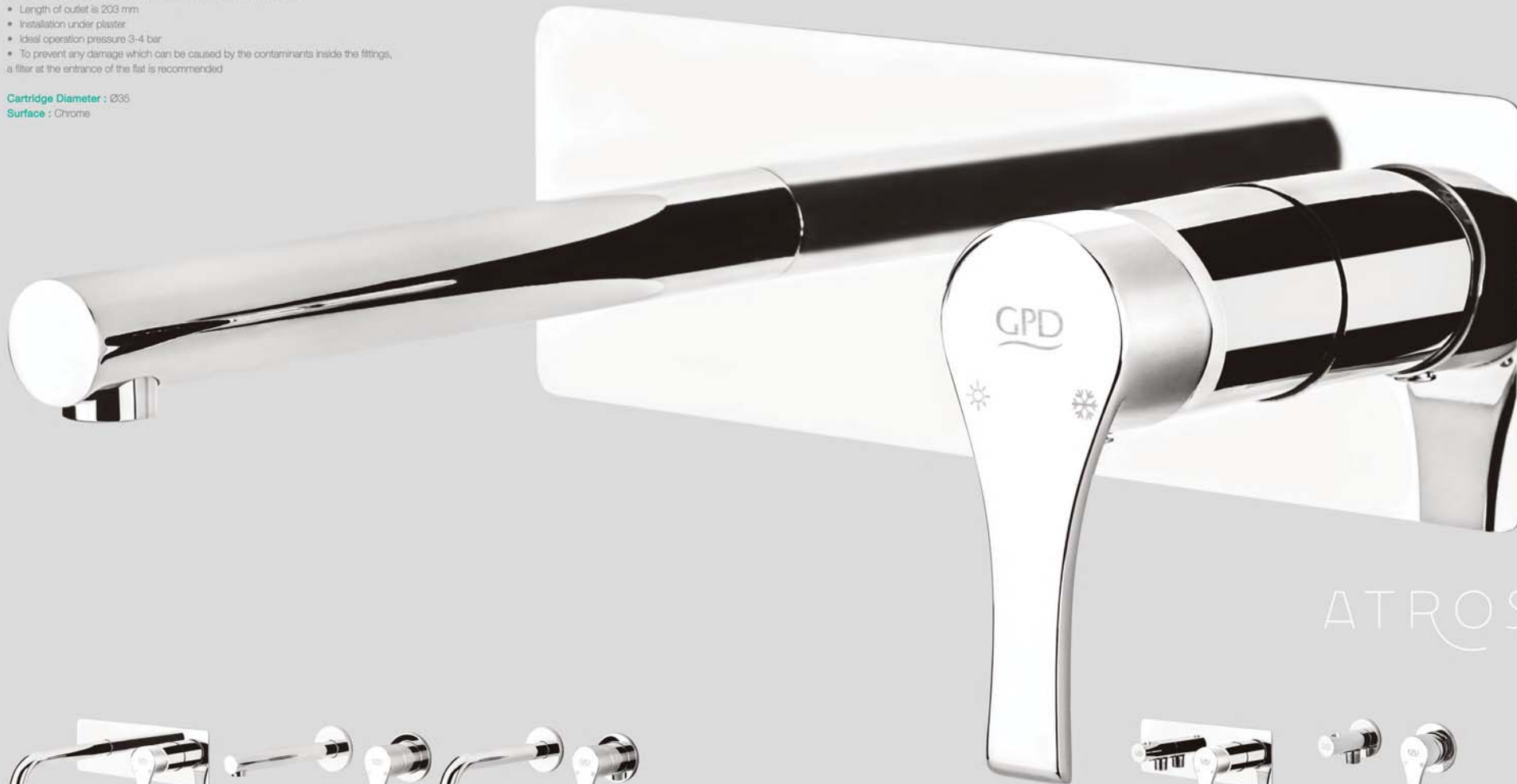


MDA 65-1
Applique Embedded Wash-Basin Armature

- Special aerator (Bubble flow, with lime breaker, flow rate 8 lt./min)
- Length of outlet is 203 mm
- Installation under plaster
- Ideal operation pressure 3-4 bar.
- To prevent any damage which can be caused by the contaminants inside the fittings, a filter at the entrance of the flat is recommended

Cartridge Diameter : Ø35

Surface : Chrome



MDA 65-2



MDAA 65-1



MDAA 65-2



AST 65

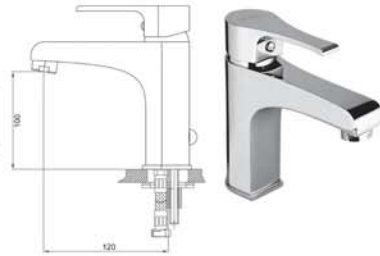


ASTA 65

MLB 65 Wash-Basin Armature

- Special aerator with water saving (Bubble flow, with lime breaker, Flow rate:8 lt/min)
- Length of outlet is 120 mm
- Height of outlet is 100 mm
- Measurements of hot and cold water flex hose connection are M10x1-3/8" (or 1/2")40 cm
- Ideal operation pressure 3-4 bar
- To prevent any damage which can be caused by the contaminants inside the fittings, a filtered interval tap is recommended

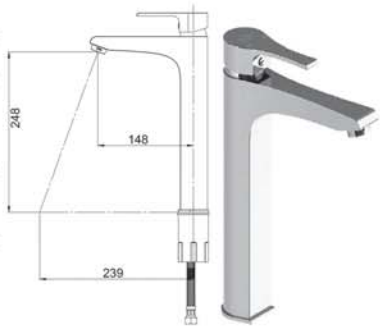
Cartridge Diameter : Ø35
Surface : Chrome



MSL 65 Over Table Wash-Basin Armature

- Special water saving aerator (Bubble flow, with lime breaker, Flow rate: 8 lt/min)
- Long height to be used at Over Table Wash-Basins
- Length of outlet is 148mm
- Height of outlet is 248mm
- Measurements of Hot & Cold water flex hose connection are M10x1- 3/8" (or 1/2") 70 cm
- Ideal operation pressure is 3 - 4 Bar
- To prevent any damage which can be caused by the contaminants inside the fittings, a filtered sub tap at the entrance of the flat is recommended.

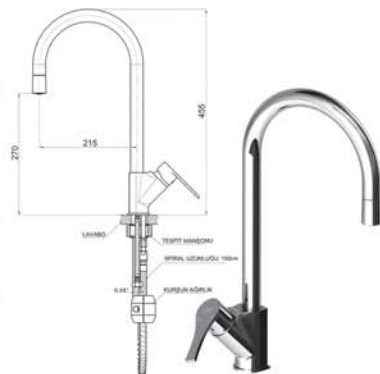
Cartridge Diameter : Ø35
Surface : Chrome



MES 66 Spiral Nozzle Sink Armature

- Special aerator with water saving (Bubble flow, with lime breaker, Flow rate:16lt/min)
- With swivel spout
- Removable hand shower with single Functions
- 150 cm flex hose
- Length of outlet is 215 mm
- Height of outlet is 270 mm
- Measurement of hot and cold water flex hose connection M8x1-3/8" (or 1/2") 50 cm
- Ideal working pressure 3-4 Bar
- To prevent any damage which can be caused by the contaminants inside the fittings, a filtered sub tap at the entrance of the flat is recommended

Cartridge Diameter : Ø35
Surface : Chrome



MDB 65 Shower Armature

- Length of outlet is 68 mm
- Armature connection threads are 3/4"
- Eccentric connection threads are 3/4" - 1/2"
- Spiral hose threads are 1/2"
- Ideal operation pressure is 3 - 4 Bar
- To prevent any damage which can be caused by the contaminants inside the fittings, a filter at the entrance of the flat is recommended

Cartridge Diameter : Ø35
Surface : Chrome



MBB 65 Bathroom Armature

- Special aerator (Bubble flow, with lime breaker, Flow rate: 16 lt/min)
- Length of outlet 160 mm
- Armature connection threads are 3/4"
- Eccentric connection threads are 3/4" - 1/2"
- Spiral Hose connection threads are 1/2"
- Ideal operation pressure 3-4 Bar
- To prevent any damage which can be caused by the contaminants inside the fittings, a filter at the entrance of the flat is recommended

Cartridge Diameter : Ø35
Surface : Chrome



MTE 65 Monoblock Sink Armature

- Special water saving cascade aerator. (Bubble flow, with lime breaker), Flow rate:8lt/min)
- with Swivel Spout
- Length of outlet is 245mm
- Height of outlet is 255mm
- Measurements of hot & cold water flex hose connection are M10x1- 3/8" (or 1/2") 40 cm
- Ideal working pressure is 3-4 bar
- To prevent any damage which can be caused by contaminants inside the fittings, a filtered interval tap at the entrance of the flat is recommended.

Cartridge Diameter : Ø35
Surface : Chrome



FELIS



GPD
Anadolu Sanayi

Turkish Manufacturer
Bathroom & Kitchen Faucets

2022 COLLECTION

FELIS

MAD 75 Embedded Shower Armature

- Special cartridge with heat and flow rate adjustment
- Compatible with all embedded shower head or with all handsets by using GGR05
- Connection dimension 1/2" (internal thread)
- Installation under plaster
- Ideal working pressure 3-4 Bar
- To prevent any damage which can be caused by the contaminants inside the fittings, a filter at the entrance of the flat is recommended.

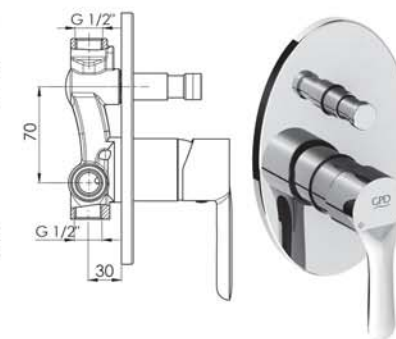
Cartridge Diameter : Ø35
Surface : Chrome



MAB 75 Embedded Bathroom Armature

- Special water saving aerator (Bubble flow, with lime breaker, Flow rate: 16 l/min)
- Compatible with all embedded shower heads and with all handsets by using GGR05
- Length of outlet is 129.5 mm
- Measure of outlet connection 3/4" (can be converted to 1/2")
- Installation under plaster
- Ideal operation pressure is 3 - 4 Bar
- To prevent any damage which can be caused by the contaminants inside the fittings, a filter at the entrance of the flat is recommended.

Cartridge Diameter : Ø35
Surface : Chrome



MDA 75-2

Applique Embedded Wash-Basin Armature

- Special aerator (Bubble flow, with lime breaker, flow rate 8 lt./min)
- Length of outlet is 210 mm
- Installation under plaster
- Ideal operation pressure 3-4 bar
- To prevent any damage which can be caused by the contaminants inside the fittings, a filter at the entrance of the flat is recommended

Cartridge Diameter : Ø35
Surface : Chrome



FELIS



MDA 75-1



MDAA 75-1



MDAA 75-2



AST 75



ASTA 75

FELIS

GPD



MBB 75
Bathroom Armature

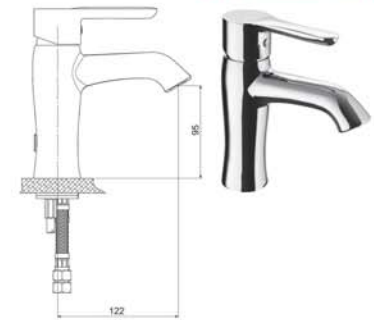
FELIS

Turkish Manufacturer
Bathroom & Kitchen Faucets
2022 COLLECTION

MLB 75
Wash-Basin Armature

- Cache water saving aerator (Bubble flow, with lime breaker), Flow rate:8lt/min.)
- Special cartridge with heat and flow rate adjustment
- Length of outlet 122 mm
- Height of outlet 95 mm
- Measurements of hot & cold water flex hose connection are M10x1- 3/8" (or 1/2") 40 cm
- Ideal operation pressure 3-4 Bar
- To prevent any damage which can be caused by the contaminants inside the fittings,a filtered sub tap at the entrance of the flat is recommended

Cartridge Diameter : Ø35
Surface : Chrome



MTE 75
Monoblock Sink Armature

- Special water saving aerator (Bubble flow, with lime breaker), Flow rate:8lt/min
- Special cartridge with heat and flow rate adjustment
- With swivel spout
- Length of outlet is 192 mm
- Height of outlet is 263 mm
- Measurements of hot and cold water flex hose connection are M10x1-3/8" (or 1/2")40 cm
- Ideal operation pressure 3-4 bar
- To prevent any damage which can be caused by the contaminants inside the fittings, a filtered interval tap is recommended

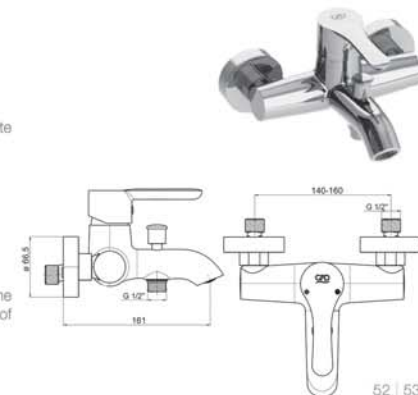
Cartridge Diameter : Ø35
Surface : Chrome



MBB 75
Bathroom Armature

- Cache aerator (Bubble flow, with lime breaker, flow rate 16 lt /min)
- Special cartridge with heat and flow rate adjustment
- Length of outlet is 161 mm
- Diverting unit with locking system
- Armature connection threads are 3/4"
- Eccentric connection threads are 3/4"-1/2"
- Spiral hose connection thread 1/2"
- Ideal operation pressure 3-4 bar
- To prevent any damage which can be caused by the contaminants inside the fittings, a filter at the entrance of the flat is recommended

Cartridge Diameter : Ø35
Surface : Chrome





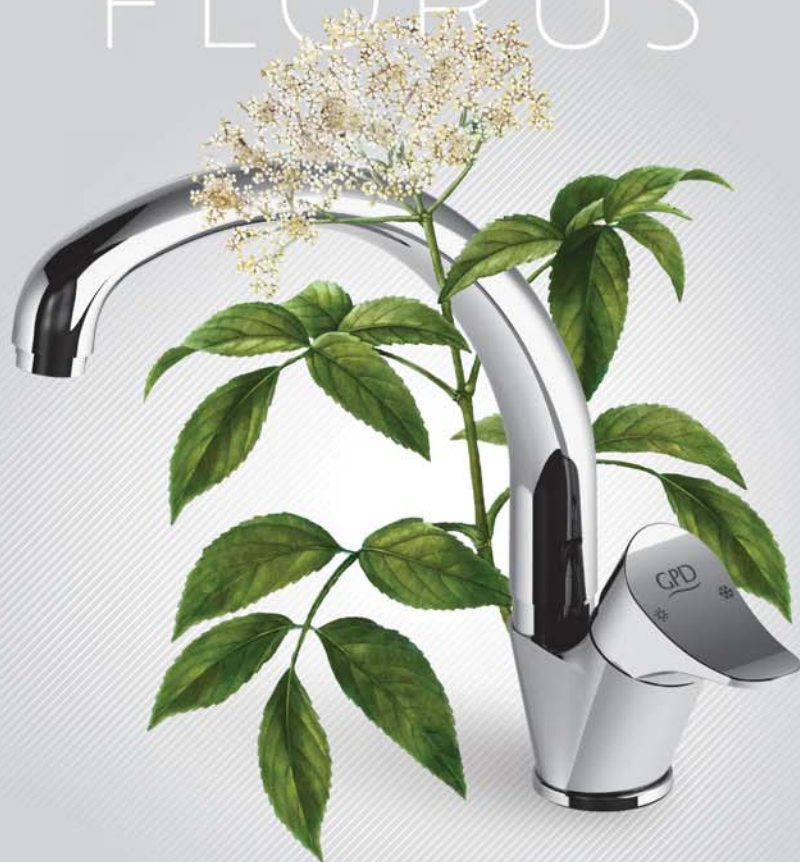
TAKE LUXURY TO A HIGHER LEVEL

WE SEE A BEAUTIFUL, MELLOW AND UNPRETENTIOUS DESIGN, WITH A GREAT FUNCTIONALITY THAT SHOULD NOT BE UNDERESTIMATED. YOU CAN EASILY COMBINE SUPERIOR FUNCTIONALITY WITH MATERIALS, COLOURS AND ACCESSORIES THAT REFLECT YOUR STYLE AND THE AMBIENCE YOU WANT IN YOUR HOME. WE CONTINUE TO INNOVATE AND MAKE FAUCETS MORE BEAUTIFUL, SMARTER AND MORE ENVIRONMENTALLY FRIENDLY.

GPD

Turkish Manufacturer
Bathroom & Kitchen Faucets
2022 COLLECTION

FLORUS



Turkish Manufacturer
Bathroom & Kitchen Faucets

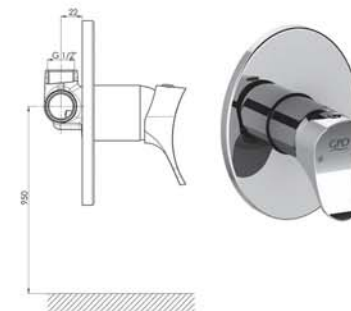
2022 COLLECTION

FLORUS

MAD 170 Embedded Shower Armature

- Special cartridge with heat and flow rate adjustment
- Compatible with all embedded shower head or with all handsets by using GGR05
- Connection dimension 1/2" (internal thread)
- Installation under plaster
- Ideal working pressure 3-4 Bar
- To prevent any damage which can be caused by the contaminants inside the fittings, a filter at the entrance of the flat is recommended.

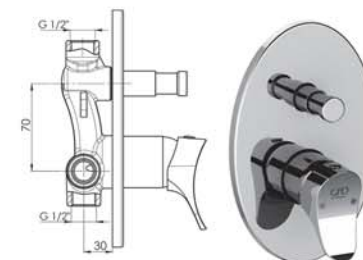
Cartridge Diameter : Ø35
Surface : Chrome



MAB 170 Embedded Bathroom Armature

- Special aerator with water saving aerator 28*1 (Bubble flow, with lime breaker, Flow rate: 16 lt/min)
- Compatible with all embedded shower heads and with all handsets by using GGR05
- Length of outlet is 129.5 mm
- Measure of outlet connection 3/4" (can be converted to 1/2")
- Installation under plaster
- Ideal operation pressure is 3 - 4 Bar
- To prevent any damage which can be caused by the contaminants inside the fittings, a filter at the entrance of the flat is recommended.

Cartridge Diameter : Ø35
Surface : Chrome



MDA 170-2 Applique Embedded Wash-Basin Armature

- Special aerator (Bubble flow, with lime breaker, flow rate 8 lt /min)
- Length of outlet is 210 mm
- Installation under plaster
- Ideal operation pressure 3-4 bar
- To prevent any damage which can be caused by the contaminants inside the fittings, a filter at the entrance of the flat is recommended

Cartridge Diameter : Ø35
Surface : Chrome



MDA 170-1

MDAA 170-1

MDAA 170-2



AST 170

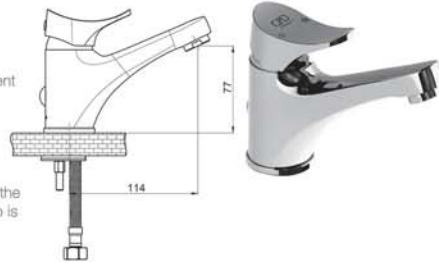
ASTA 170

MLB 170

Wash-Basin Armature

- Special aerator (flow rate 8 lt /min)
- Special cartridge with heat and flow rate adjustment
- Length of outlet is 114 mm
- Height of outlet is 77 mm
- Measurements of hot and cold water flex hose connection are M10x1-3/8" (or 1/2")40 cm
- Ideal operation pressure 3-4 bar
- To prevent any damage which can be caused by the contaminants inside the fittings, a filtered interval tap is recommended

Cartridge Diameter : Ø35
Surface : Chrome



MTE 170

Monoblock Sink Armature

- Special water saving aerator (Bubble flow, with lime breaker), Flow rate:8lt/min
- With swivel spout
- Length of outlet is 228 mm
- Height of outlet is 209 mm
- Measurements of hot and cold water flex hose connection are M10x1-3/8" (or 1/2")40 cm
- Ideal operation pressure 3-4 bar
- To prevent any damage which can be caused by the contaminants inside the fittings, a filtered interval tap is recommended

Cartridge Diameter : Ø35
Surface : Chrome

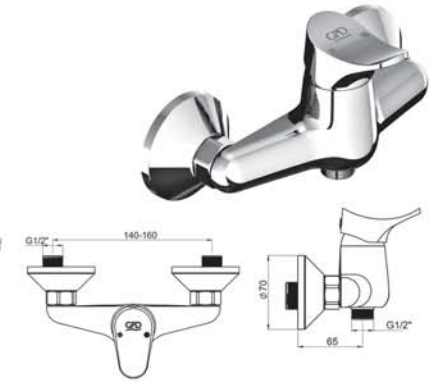


MDB 170

Shower Armature

- Shower outlet length is 65 mm
- Special cartridge with heat and flow rate adjustment
- Armature connection threads are 3/4"
- Eccentric connection threads are 3/4"-1/2"
- Spiral hose connection thread 1/2"
- Ideal operation pressure 3-4 bar
- To prevent any damage which can be caused by the contaminants inside the fittings, a filter at the entrance of the flat is recommended

Cartridge Diameter : Ø35
Surface : Chrome



MBB 170

Bathroom Armature

- Length of outlet is 151 mm
- Armature connection threads are 3/4", eccentric
- Eccentric threads are 3/4"-1/2"
- Spiral hose connection thread 1/2"
- Ideal operation pressure 3-4 bar
- To prevent any damage which can be caused by the contaminants inside the fittings, a filter at the entrance of the flat is recommended

Cartridge Diameter : Ø35
Surface : Chrome



ESPINA



Turkish Manufacturer
Bathroom & Kitchen Faucets

2022 COLLECTION

ESPINA

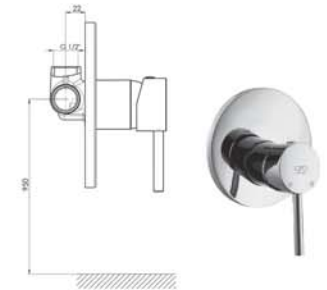
MAD 70

Embedded Shower Armature

- Special cartridge with heat and flow rate adjustment
- Compatible with all embedded shower head or with all handsets by using GGR05
- Connection dimension 1/2" (inlet-outlet)
- Installation under plaster
- Ideal working pressure 3-4 Bar
- To prevent any damage which can be caused by the contaminants inside the fittings, a filter at the entrance of the flat is recommended.

Cartridge Diameter : Ø35

Surface : Chrome



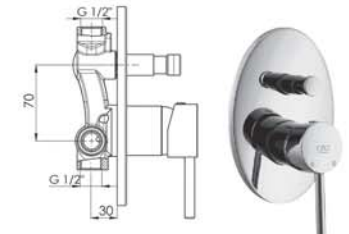
MAB 70

Monoblock Sink Armature

- Special aerator with water saving aerator 28*1 (Bubble flow, with lime breaker, Flow rate: 16 lt/min)
- Compatible with all embedded shower heads and with all handsets by using GGR05
- Length of outlet is 129,5 mm
- Measure of outlet connection 3/4" (can be converted to 1/2")
- Installation under plaster
- Ideal operation pressure is 3 - 4 Bar
- To prevent any damage which can be caused by the contaminants inside the fittings, a filter at the entrance of the flat is recommended.

Cartridge Diameter : Ø35

Surface : Chrome



ESPINA



MDA 70-2 Short Wash-Basin Armature

Applique Embedded Wash-Basin Armature

- Special aerator (Bubble flow, with lime breaker, flow rate 8 lt./min)
- Length of outlet is 210 mm
- Installation under plaster
- Ideal operation pressure 3-4 bar
- To prevent any damage which can be caused by the contaminants inside the fittings, a filter at the entrance of the flat is recommended

Cartridge Diameter : Ø35

Surface : Chrome



MDA 70-1



MDAA 70-1



MDAA 70-2



AST 70



ASTA 70

ESPINA

Turkish Manufacturer
Bathroom & Kitchen Faucets

2022 COLLECTION

ESPINA

GPD

MTE 70 Monoblock Sink Armature

- Special aerator (flow rate 8 lt/min)
- Special cartridge with heat and flow rate adjustment
- With swivel spout
- Length of outlet is 190 mm
- Height of outlet is 275 mm
- Measurements of hot and cold water flex hose connection are M10x1,1" (or ½") 40 cm
- Ideal operation pressure 3-4 bar
- To prevent any damage which can be caused by the contaminants inside the fittings, a filtered interval tap is recommended

Cartridge Diameter : Ø40
Surface : Chrome

ESPINA

Turkish Manufacturer
Bathroom & Kitchen Faucets
2022 COLLECTION

MLB 70 Wash-Basin Armature

- Special aerator with water saving (Bubble flow, with lime breaker, Flow rate: 8 lt/min)
- Special cartridge with heat and flow rate adjustment
- Length of outlet is 122 mm
- Height of outlet 70 mm
- Measurements of Hot & Cold water flex hose connection are M10x1-1" (or ½") 40 cm
- Ideal working pressure is 3-4 bar
- To prevent any damage which can be caused by the contaminants inside the fittings, a filtered interval tap at the entrance of the flat is recommended

Cartridge Diameter : Ø40
Surface : Chrome



MSL 70 Over Table Wash-Basin Armature

- Special aerator with water saving (Bubble flow, with lime breaker, Flow rate: 8 lt/min)
- Special cartridge with heat and flow rate adjustment
- Long height to be used at Over Table Wash-Basins
- Length of outlet is 150 mm
- Height of outlet 275 mm
- Measurements of Hot & Cold water flex hose connection are M10x1-1" (or ½") 40 cm
- Ideal working pressure is 3-4 bar
- To prevent any damage which can be caused by the contaminants inside the fittings, a filtered interval tap at the entrance of the flat is recommended

Cartridge Diameter : Ø40
Surface : Chrome



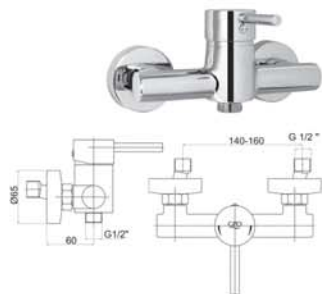
ESPINA



MDB 70 Shower Armature

- Shower outlet length is 80 mm
- Special cartridge with heat and flow rate adjustment
- Armature connection threads are 3/4"
- Eccentric connection threads are 3/4"-1/2"
- Spiral hose connection thread 1/2"
- Ideal operation pressure 3-4 bar
- To prevent any damage which can be caused by the contaminants inside the fittings, a filter at the entrance of the flat is recommended

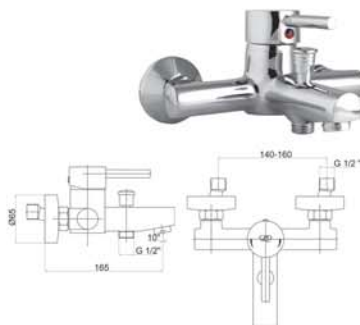
Cartridge Diameter : Ø40
Surface : Chrome



MBB 70 Bathroom Armature

- Special aerator (flow rate 16 lt /min)
- Special cartridge with heat and flow rate adjustment
- Length of outlet is 165 mm
- Armature connection threads are 3/4", eccentric
- Eccentric threads are 3/4"-1/2"
- Spiral hose connection thread 1/2"
- Ideal operation pressure 3-4 bar
- To prevent any damage which can be caused by the contaminants inside the fittings, a filter at the entrance of the flat is recommended

Cartridge Diameter : Ø40
Surface : Chrome



MTE 70 Monoblock Sink Armature

- Special aerator (flow rate 8 lt /min)
- Special cartridge with heat and flow rate adjustment
- With swivel spout
- Length of outlet is 190 mm
- Height of outlet is 275 mm
- Measurements of hot and cold water flex hose connection are M10x1-1" (or 1/2") 40 cm
- Ideal operation pressure 3-4 bar
- To prevent any damage which can be caused by the contaminants inside the fittings, a filtered interval tap is recommended

Cartridge Diameter : Ø40
Surface : Chrome



ESPINA

Turkish Manufacturer
Bathroom & Kitchen Faucets
2022 COLLECTION

MAR 70 Sink Armature with Outlet connection Of Water Purifying Device

Special aerator preventing the water coming from installation (Bubble flow, with lime breaker, Flow rate:8lt/min.)

- Refinement control 90° ceramic stemmer
- Special cartridge with heat and flow rate adjustment
- With swivel spout
- Length of outlet is 215 mm
- Height of outlet is 215 mm
- Measurement of hot and cold water flex hose connection M10x1-3/8"(or 1/2") 50 cm
- Ideal operation pressure 3-4 Bar
- To prevent any damage which can be caused by the contaminants inside the fittings, a filtered sub tap at the entrance of the flat is recommended

Cartridge Diameter : Ø35
Surface : Chrome





TIMELESS DESIGN. ENDLESS APPEAL

FOR THOSE WHO THINK A BIT FURTHER THAN A NORMAL SPOUT. THIS SERIES OF FAUCETS HAVE SEDUCTIVE ROUND SHAPES, GIVING THEM A MELLOW LOOK THAT IS A PERFECT FIT FOR TODAY'S MODERN HOME. THE FAUCETS MAY APPEAR SIMPLE AND MINIMALIST, BUT THEY ARE ALL KEEPING A SECRET THAT GIVES THEM AN EXTRA TOUCH OF THE THRILLING AND ALSO MAKES THEM EXTREMELY FUNCTIONAL.

GPD®

Turkey Manufacturer
Bathroom & Kitchen Faucets
2022 COLLECTION

PROVIDO



GPD
Turkish Manufacturer

Bathroom & Kitchen Faucets

2022 COLLECTION

PROVIDO

MSL 155 Over Table Wash-Basin Armature

- Special aerator (flow rate 8 lt /min)
- Special cartridge with heat and flow rate adjustment
- Long height to be used at over table wash basins
- Length of outlet is 155 mm
- Height of outlet is 243 mm
- Measurements of hot and cold water flex hose connection are M10x1-1/2" (or 1/2")40 cm
- Ideal operation pressure 3-4 bar
- To prevent any damage which can be caused by the contaminants inside the fittings, a filtered interval tap is recommended

Cartridge Diameter : Ø35
Surface : Chrome



MSL 155-A Over Table Wash-Basin Armature

- Special aerator (flow rate 8 lt /min)
- Special cartridge with heat and flow rate adjustment
- Long height to be used at over table wash basins
- Length of outlet is 155 mm
- Height of outlet is 243 mm
- Measurements of hot and cold water flex hose connection are M10x1-1/2" (or 1/2")40 cm
- Ideal operation pressure 3-4 bar
- To prevent any damage which can be caused by the contaminants inside the fittings, a filtered interval tap is recommended

Cartridge Diameter : Ø35
Surface : PVD Coating (Gold Effect)



MLB155
Short Wash-Basin Armature

- Special aerator (flow rate 8 lt /min)
- Special cartridge with heat and flow rate adjustment
- Length of outlet is 155 mm
- Height of outlet is 155 mm
- Measurements of hot and cold water flex hose connection are M10x1-1" (or 1/2")40 cm
- Ideal operation pressure 3-4 bar
- To prevent any damage which can be caused by the contaminants inside the fittings, a filtered interval tap is recommended

Cartridge Diameter : Ø35
Surface : Chrome



MTE 155
Monoblock Sink Armature

- Special aerator (flow rate 8 lt /min)
- Special cartridge with heat and flow rate adjustment
- With swivel spout
- Length of outlet is 185 mm
- Height of outlet is 272 mm
- Measurements of hot and cold water flex hose connection are M10x1-1" (or 1/2")40 cm
- Ideal operation pressure 3-4 bar
- To prevent any damage which can be caused by the contaminants inside the fittings, a filtered interval tap is recommended

Cartridge Diameter : Ø35
Surface : Chrome



MDB 155
Shower Armature

- Shower outlet length is 52 mm
- Special cartridge with heat and flow rate adjustment
- Armature connection threads are 3/4"
- Eccentric connection threads are 3/4"-1/2"
- Spiral hose connection thread 1/2"
- Ideal operation pressure 3-4 bar
- To prevent any damage which can be caused by the contaminants inside the fittings, a filter at the entrance of the flat is recommended

Cartridge Diameter : Ø35
Surface : Chrome



MBB 155
Bathroom Armature

- Special aerator (flow rate 16 lt /min)
- Special cartridge with heat and flow rate adjustment
- Length of outlet is 175 mm
- Armature connection threads are 3/4", eccentric
- Eccentric threads are 3/4"-1/2"
- Spiral hose connection thread 1/2"
- Ideal operation pressure 3-4 bar
- To prevent any damage which can be caused by the contaminants inside the fittings, a filter at the entrance of the flat is recommended

Cartridge Diameter : Ø35
Surface : Chrome



KITCHEN



GPD
TRAVELER'S DESIGN

Turkish Manufacturer
 Bathroom & Kitchen Faucets

2022 COLLECTION

KITCHEN

ESPIÑA | MES 71 Spiral Nozzle Sink Armature

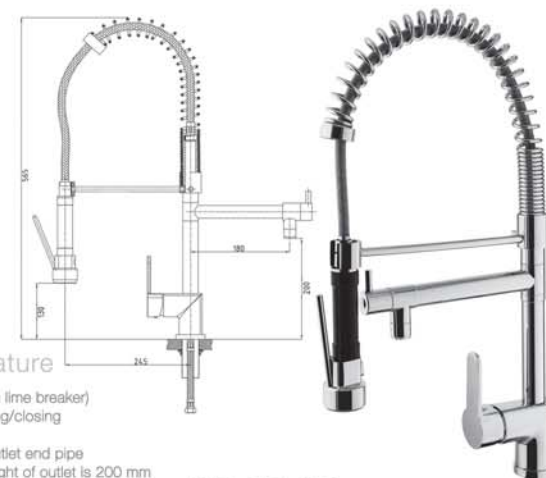
- Special water saving aerator (Bubble flow, with lime breaker, flow rate 8 lt./min)
- Special cartridge with heat and flow rate adjustment
- With swivel spout
- Removable hand shower with 2 function
- 150 cm flex hose
- Length of outlet is 190 mm • Height of outlet is 248 mm
- Measurements of hot and cold water flex hose connection are M10x1-3/8" (or 1/2")40 cm
- Ideal working pressure 3-4 bar
- To prevent any damage which can be caused by the contaminants inside the fittings, a filtered interval tap is recommended



Cartridge Diameter : Ø40
 Surface : Chrome

NOVA | MEE 35 Industrial Sink Armature

- Special aerator (Bubble flow, with lime breaker)
- Hand shower with manual opening/closing
- With swivel spout
- Flexible use with helical spring outlet end pipe
- Length of outlet is 180 mm • Height of outlet is 200 mm
- Measurements of hot and cold water flex hose connection are M10x1-3/8" (or 1/2")40 cm
- Ideal working pressure 3-4 bar
- To prevent any damage which can be caused by the contaminants inside the fittings, a filtered interval tap is recommended



Cartridge Diameter : Ø35
 Surface : Chrome

KITCHEN



FUEGO | MTE 105 Monoblock Sink Armature

- Special rectangle aerator relevant with body design (Bubble flow, with lime breaker)
- Special cartridge with heat and flow rate adjustment
- With swivel spout
- Length of outlet is 168 mm • Height of outlet is 256 mm
- Measurements of hot and cold water flex hose connection are M10x1-3/8" (or 1/2")40 cm
- Ideal working pressure 3-4 bar
- To prevent any damage which can be caused by the contaminants inside the fittings, a filtered interval tap is recommended

Cartridge Diameter : Ø35
Surface : Chrome



ATROS | MES 65 Spiral Nozzle Sink Armature (2 Function)

- Special water saving aerator (Bubble flow, with lime breaker, flow rate 16 lt /min)
- Hand shower function switch occurs with opening movement function
- Functions can be controlled by turning the key as a 360 degree jointed
- With swivel spout 180°
- Removable hand shower with 2 Functions
- 150 cm flex hose
- Length of outlet is 215 mm • Height of outlet is 215 mm
- Measurements of hot and cold water flex hose connection are M10x1-3/8" (or 1/2")50 cm
- Ideal working pressure 3-4 bar
- To prevent any damage which can be caused by the contaminants inside the fittings, a filtered interval tap is recommended

Cartridge Diameter : Ø35
Surface : Chrome



ATROS | MES 66 Spiral Nozzle Sink Armature (Single function)

- Special water saving aerator (Bubble flow, with lime breaker, flow rate 16 lt /min)
- With swivel spout
- Removable hand shower with single function
- 150 cm flex hose
- Length of outlet is 215 mm • Height of outlet is 270 mm
- Measurements of hot and cold water flex hose connection are M10x1-3/8" (or 1/2")50 cm
- Ideal working pressure 3-4 bar
- To prevent any damage which can be caused by the contaminants inside the fittings, a filtered interval tap is recommended

Cartridge Diameter : Ø35
Surface : Chrome



KITCHEN

Turkish Manufacturer
Bathroom & Kitchen Faucets

2022 COLLECTION

74 | 75

ATROS | MTE 65 Monoblock Sink Armature

- Special water saving aerator (flow rate 8 lt /min)
- With swivel spout
- Length of outlet is 190 mm • Height of outlet is 255 mm
- Measurements of hot and cold water flex hose connection are M10x1-3/8" (or 1/2")40 cm
- Ideal working pressure 3-4 bar
- To prevent any damage which can be caused by the contaminants inside the fittings, a filtered interval tap is recommended

Cartridge Diameter : Ø35



GILDO | MTE 165 Monoblock Sink Armature

- Special water saving aerator (Bubble flow, with lime breaker, flow rate 8 lt /min)
- With swivel spout 360°
- Length of outlet is 193 mm • Height of outlet is 241 mm
- Measurements of hot and cold water flex hose connection are M10x1-3/8" (or 1/2")50 cm
- Ideal working pressure 3-4 bar
- To prevent any damage which can be caused by the contaminants inside the fittings, a filtered interval tap is recommended

Cartridge Diameter : Ø35



KITCHEN



ESPINA | MTE 70 Monoblock Sink Armature

- Special water saving aerator (Bubble flow, with lime breaker, flow rate 8 lt /min)
- Special cartridge with heat and flow rate adjustment
- With swivel spout
- Length of outlet is 190 mm • Height of outlet is 275 mm
- Measurements of hot and cold water flex hose connection are M10x1-3/8" (or 1/2")40 cm
- Ideal working pressure 3-4 bar
- To prevent any damage which can be caused by the contaminants inside the fittings, a filtered interval tap is recommended

Cartridge Diameter : Ø40
Surface : Chrome



ESPINA | MAR 70 Sink Armature with Outlet Connection of Water Purifying Device

- Special aerator preventing the water coming from installation (Bubble flow, with lime breaker, Flow rate:8lt/min.)
- Refinement control 90° ceramic stemmer
- Special cartridge with heat and flow rate adjustment
- With swivel spout
- Length of outlet is 215mm • Height of outlet is 215 mm
- Measurements of hot and cold water flex hose connection are M10x1-3/8" (or 1/2")50 cm
- Ideal working pressure 3-4 bar
- To prevent any damage which can be caused by the contaminants inside the fittings, a filtered Interval tap is recommended

Cartridge Diameter : Ø35
Surface : Chrome



ESPINA | MPN 70 Pull-Out Sink Armature

- Special water saving aerator (Bubble flow, with lime breaker, flow rate 8 lt /min)
- Special cartridge with heat and low rate adjustment
- Suits for in front of window openings with adjustable and rotating spout by using hands
- Length of outlet is 191 mm
- Height of outlet is 250 mm
- Measurements of hot and cold water flex hose connection are M10x1-3/8" (or 1/2")40 cm
- Ideal working pressure 3-4 bar
- To prevent any damage which can be caused by the contaminants inside the fittings, a filtered interval tap is recommended

Cartridge Diameter : Ø35
Surface : Chrome



KITCHEN

Turkish Manufacturer
Bathroom & Kitchen Faucets
2022 COLLECTION

PEDRA MTE 160 | MTE 160-S Monoblock Sink Armature

- Special water saving aerator (Bubble flow, with lime breaker)
- Special cartridge with heat and flow rate adjustment
- With swivel spout 360°
- Length of outlet is 188 mm • Height of outlet is 268 mm
- Measurements of hot and cold water flex hose connection are M10x1-3/8" (or 1/2")50 cm
- Ideal working pressure 3-4 bar
- To prevent any damage which can be caused by the contaminants inside the fittings, a filtered interval tap is recommended

Cartridge Diameter : Ø35
Surface : Chrome - Black



PEDRA MES 160 | MES 160-S Helical Sink Armature

- Special water saving aerator (Bubble flow, with lime breaker, flow rate 6.5 lt /min)
- With swivel spout 180°
- Length of outlet is 190 mm • Height of outlet is 270 mm
- Hand shower function change with rotating movement by aerator
- Water cut feature when holding the button on the hand shower while the mixer is in the open position
- Measurements of hot and cold water flex hose connection are M10x1-3/8" (or 1/2")50 cm
- Ideal working pressure 3-4 bar
- To prevent any damage which can be caused by the contaminants inside the fittings, a filtered interval tap is recommended

Cartridge Diameter : Ø35
Surface : Chrome - Black



KITCHEN



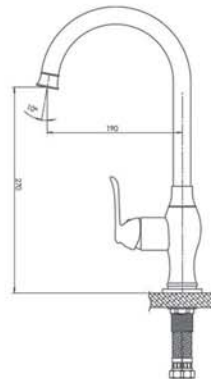
MTE 150-O

MTE 150-A

TAURO | MTE 150 Monoblock Sink Armature

- Special aerator (flow rate 8 lt /min)
- Special cartridge with heat and flow rate adjustment
- With swivel spout
- Length of outlet is 190 mm • Height of outlet is 270 mm
- Measurements of hot and cold water flex hose connection are M10x1-3/8" (or 1/2")40 cm
- Ideal working pressure 3-4 bar
- To prevent any damage which can be caused by the contaminants inside the fittings, a filtered interval tap is recommended

Cartridge Diameter : Ø35
Surface : Chrome



KITCHEN

Turkish Manufacturer
Bathroom & Kitchen Faucets
2022 COLLECTION

RETRO | MTE 180 Monoblock Sink Armature

- Special water saving aerator (Bubble flow, with lime breaker, flow rate 8 lt /min)
- Special cartridge with heat and flow rate adjustment
- With swivel spout
- Length of outlet is 200 mm • Height of outlet is 267 mm
- Ceramic handle
- Retro design
- Measurements of hot and cold water flex hose connection are M10x1-3/8" (or 1/2")40 cm
- Ideal working pressure 3-4 bar
- To prevent any damage which can be caused by the contaminants inside the fittings, a filtered interval tap is recommended

Cartridge Diameter : Ø35
Surface : Chrome



GPD

WISER Q



In the bathroom industry, WISER-Q is a new technology innovation. WISER-Q patented innovation: It was developed by GPD in cooperation with Istanbul University-Cerrahipaşa and its project was supported by TÜBİTAK in order to experience the most comfortable and hygienic handwashing by reinforcing correct handwashing habits while saving soap, water and time.

NEW

PHOTOCELL FAUCET

BOTH WATER AND SOAP WILL COME FROM IT

FLB09 Photocell Water and Soap Wash Basin Armature (Double Water Inlet)

- With the flow of water and soap from the same center it offers comfortable hand washing.
- After soap release, water use from the same center every time through it prevents soap residue from forming.
- Detection and response time through single sensor control maximum optimization is achieved.
- It has a remote control that can be controlled with an infrared receiver.
- With Wi-Fi module in the product and its own mobile application software it has control feature.
- It offers the option to use it in 3 different modes for different needs.

Surface : Chrome

80 | 81

FULLY CHANGING HANDS WASHING HABITS.
%100 HYGIENE MAXIMUM COMFORT AND MORE ECONOMICS
GPD DEVELOPED THE NEW GENERATION
FIXTURE INNOVATION THAT PROVIDES...

Turkish Manufacturer
Bathroom & Kitchen Faucets

2022 COLLECTION

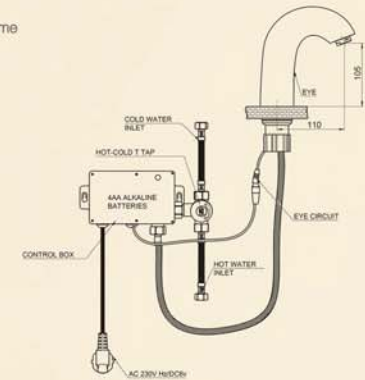
PHOTOCELL

FLB10

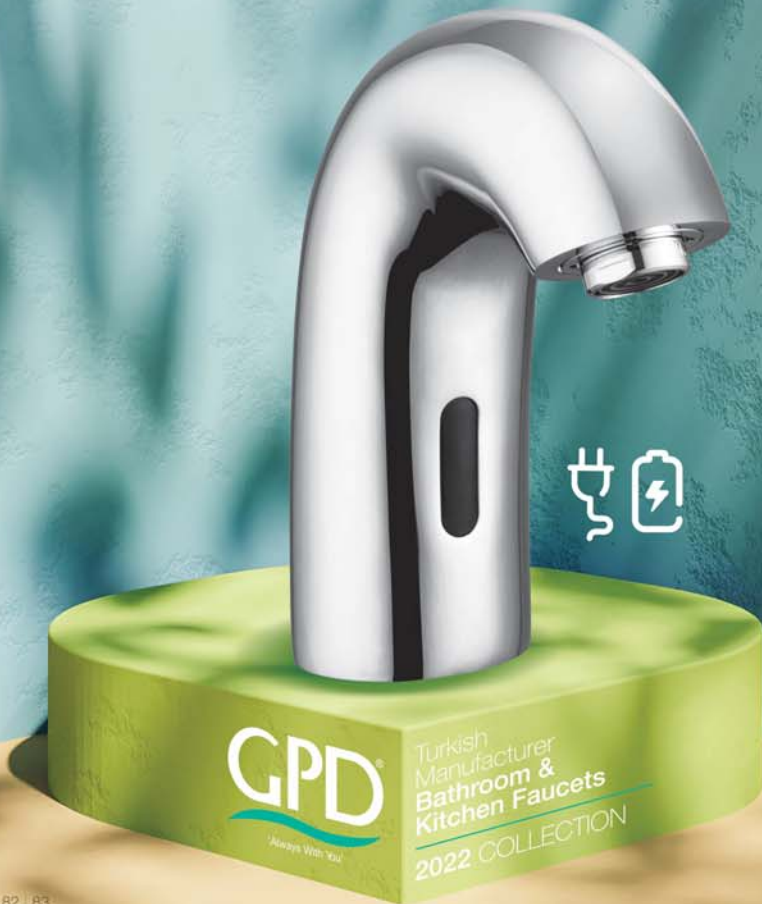
Wash-Basin Armature (Double Water Inlet)

- Special aerator with water saving (Bubble flow, with lime breaker) (Flow rate: 8l/min)
- Length of outlet 110 mm • Height of outlet is 105 mm
- It is controlled with micro computer. It is adjusted to stop the water by itself after one minute in order to prevent wasting of water
- Adjustable sensor distance is 12-18 cm
- AC and DC support, when ac is the switched off dc automatically switches on (AC 230V hz/DC 6V)(4AAA alkaline batteries)
- Possibility of both the hot water and cold water usage due to t tap for the double water product
- Water temperature is 0,1-60 °C
- Ideal working pressure 3-4 bar
- To prevent any damage which can be caused by the contaminants inside the fittings, a filtered interval tap at the entrance of the flat is recommended.

Surface : Chrome



PHOTOCELL



FLB10-A



Surface : Gold (PVD Coating)

FLB10-R



Surface : Rose Gold (PVD Coating)

FLB10-S



Surface : Black

PHOTOCELL



PHOTOCELL

Turkish Manufacturer
Bathroom & Kitchen Faucets
2022 COLLECTION

FLB13-R



Surface : Rose Gold(PVD Coating)

FLB13-S



Surface : Black

FLB13-A



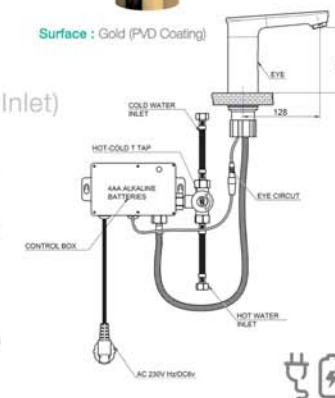
Surface : Gold (PVD Coating)

FLB 13

Wash Basin Armature (Double Water Inlet)

- Special aerator (Bubble flow, with lime breaker, flow rate 8 lt /min)
- Length of outlet is 128 mm • Height of outlet is 109 mm
- It is controlled with microcomputer. It is adjusted to stop the water by itself after one minute in order to prevent wasting of water
- Adjustable sensor distance is 12-18 cm
- AC and DC support. When AC is switched off DC is automatically switches on.
- (AC 230 V hz /DC 6 6V) (4AA alkaline batteries)
- Possibility of both the hot water and cold water
- Water temperature is 0,1 - 60 °C
- Ideal operation pressure 3-4 bar
- To prevent any damage which can be caused by the contaminants inside the fittings, a filtered interval tap is recommended

Surface : Chrome

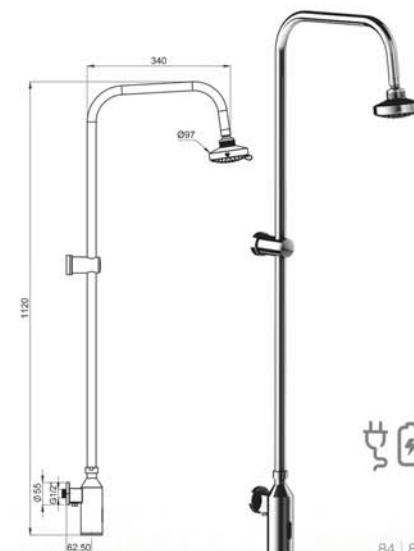


FDS 01

Photocell Shower Set

- Waterproof, sealed construction with moisture protection Single water inlet
- For safety purposes, after standing in front of it for 2 seconds uninterrupted, photocell sensor start
- It is adjusted to stop the water by itself after 3 minute in order to prevent wasting of water and for safety (exiting and re-entering the area for a new flow)
- (DC 6V) (4AA Alkaline Battery)
- The flow rate of the water can be adjusted by opening or closing the regulating valve.
- Detection distance 50 cm
- 3 Function hand shower
- With lime breaker
- Massage effective
- Stainless steel pipe
- Ideal working pressure 3-4 bar

Surface : Chrome



PHOTOCELL

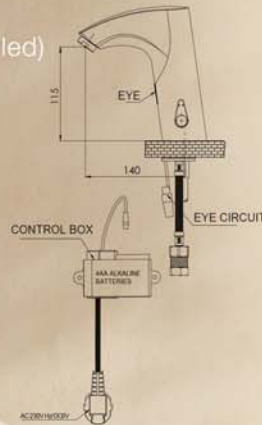


FLB12

Wash Basin Armature (Manual Heat Controlled)

- Special aerator with water saving (Bubble flow, with lime breaker) (Flow rate: 8lt/min)
- Length of outlet 140 mm
- Height of outlet is 115 mm
- It is controlled with micro computer. It is adjusted to stop the water by itself after one minute in order to prevent wasting of water
- Adjustable sensor distance is 12-18 cm
- AC and DC support, when ac is switched off dc automatically switches on (AC 230V Hz/DC 6V)(4AA alkaline batteries)
- Battery life 2 years (4000usage/month)
- Possibility of both the hot water and cold water usage due to manual heat control on the block body
- Ideal working pressure 3-4 bar
- To prevent any damage which can be caused by the contaminants inside the fittings, a filtered interval tap at the entrance of the flat is recommended.

Surface : Chrome



PHOTOCELL

Turkish Manufacturer
Bathroom & Kitchen Faucets

2022 COLLECTION

FLB11

Wash Basin Armature (Double Water Inlet)

- Special aerator (Bubble flow, with lime breaker, flow rate 8 lt /min)
- Length of outlet is 114 mm
- Height of outlet is 160 mm
- It is controlled with microcomputer. It is adjusted to stop the water by itself after one minute in order to prevent wasting of water
- Adjustable sensor distance is 12-18 cm
- AC and DC support. When AC is switched off DC is automatically switches on.
- (AC 230 V Hz /DC 6 V) (4AA alkaline batteries)
- Possibility of both the hot water and cold water
- Water temperature is 0,1 - 80 °C
- Ideal operation pressure 3-4 bar
- To prevent any damage which can be caused by the contaminants inside the fittings, a filtered interval tap is recommended

Surface : Chrome



FLB11-A



Surface: Gold

FLB11-R



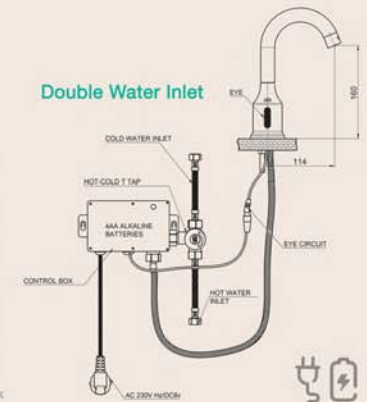
Surface: Rose Gold

FLB11-S



Surface: Black

Double Water Inlet

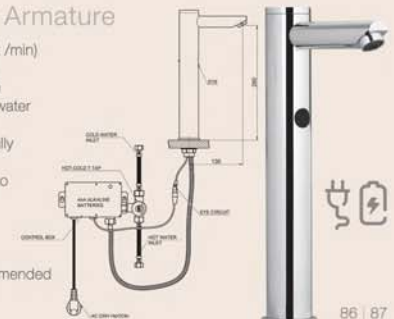


FLB 07

Photocell Over Table Wash-Basin Armature

- Special aerator (Bubble flow, with lime breaker, flow rate 8 lt /min)
- Length of outlet is 130 mm
- Height of outlet is 290 mm
- It is controlled with microcomputer. It is adjusted to stop the water by itself after one minute in order to prevent wasting of water
- Adjustable sensor distance is 12-18 cm
- AC and DC support, when ac is switched off dc automatically switches on (AC 230 V Hz /DC 6V) (4AA alkaline batteries)
- Possibility of both the hot water and cold water usage due to tap for the double water product
- Ideal operation pressure 3-4 bar
- Water temperature is 0,1 - 60 °C
- To prevent any damage which can be caused by the contaminants inside the fittings, a filtered interval tap is recommended

Surface : Chrome





Turkish Manufacturer
Bathroom & Kitchen Faucets

2022 COLLECTION



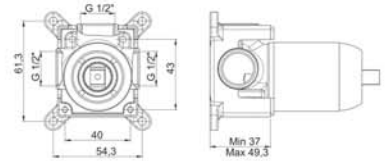
EMBEDDED
BATHROOM
& SHOWER

RECESSED HOUSING

- The cartridge extraordinary developed by GPD, meets the International standard.
- Impermeability at 50 bar and durable at surge pressure (Ran-Hammer test)
- On-off working life is 150.000 (TSE Nom is 70.000 on-off)
- Possible to reach to more sensitive heat adjustment with the potential of heat adjustment at 110° (normal heat 90-100°)
- Produced of reinforced ceramic and plastic material.

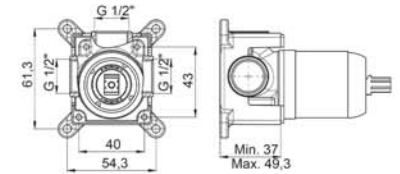
RECESSED HOUSING

SAG06 Ø35 Embedded
Shower Armature
Recessed Housing Group



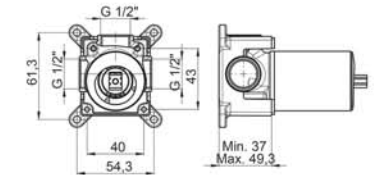
- Special cartridge with heat and flow rate adjustment
- Recessed body with plastic safety cover
- Plumbing connections size 1/2"
- Can be used with SUD15, SUD55, SUD65, SUD70, SUD75, SUD130, SUD170
- Can be used with Qadra, Solus, Atrós, Espina, Felis, Iris, Florus series related codes

SAG10 Ø35 Embedded
Shower Armature
Recessed Housing Group



- Special cartridge with heat and flow rate adjustment
- Recessed body with plastic safety cover
- Plumbing connections size 1/2"
- Can be used with SUD105, SUD135, SUD160
- Can be used with Fuego, Tulio, Pedra series related codes

SAG11 Ø35 Embedded
Shower Armature
Recessed Housing Group



- Special cartridge with heat and flow rate adjustment
- Recessed body with plastic safety cover
- Plumbing connections size 1/2"
- Can be used with SUD165
- Can be used with Gildo series related codes

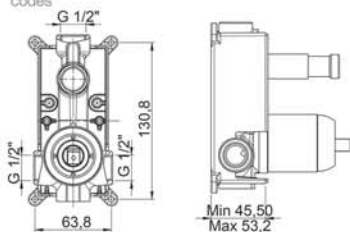
RECESSED HOUSING



SAG01 Ø35 Embedded Bathroom Armature Recessed Housing Group



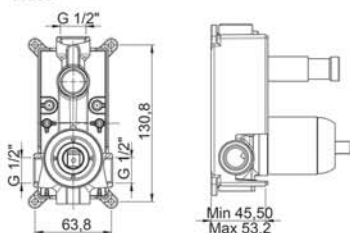
- Special cartridge with heat and flow rate adjustment
- Recessed body with plastic safety cover
- Plumbing connections size 1/2"
- Can be used with SUG105, SUG135, SUG160
- Can be used with Fuego, Tulio, Pedra series related codes



SAG02 Ø40 Embedded Bathroom Armature Recessed Housing Group



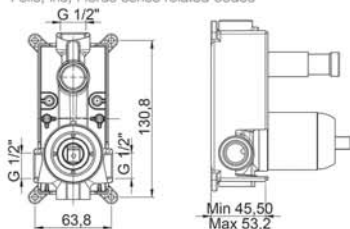
- Special cartridge with heat and flow rate adjustment
- Recessed body with plastic safety cover
- Plumbing connections size 1/2"
- Can be used with SUG35, SUG175
- Can be used with Nova, Primula series related codes



SAG03 Ø35 Embedded Bathroom Armature Recessed Housing Group



- Special cartridge with heat and flow rate adjustment
- Recessed body with plastic safety cover
- Plumbing connections size 1/2"
- Can be used with SUG15, SUG55, SUG65, SUG70, SUG75, SUG130, SUG170
- Can be used with Qadra, Solus, Atrós, Espina, Felis, Iris, Florus series related codes



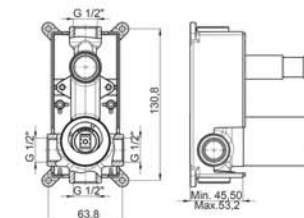
RECESSED HOUSING

Turkish Manufacturer
Bathroom & Kitchen Faucets
2022 COLLECTION

SAG12 Ø35 Embedded Bathroom Armature Recessed Housing Group

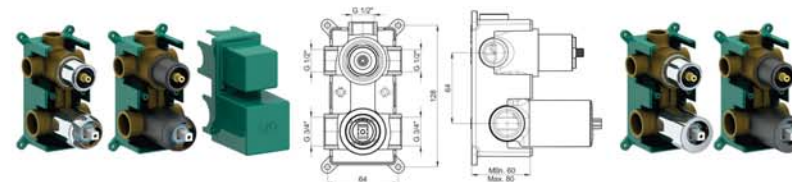


- Special cartridge with heat and flow rate adjustment
- Recessed body with plastic safety cover
- Plumbing connections size 1/2"
- Can be used with SUG165
- Can be used with Gildo series related codes



SAG13 Ø35 Embedded Bathroom Armature Recessed Housing Group

- Special cartridge with heat and flow rate adjustment
- Recessed body with plastic safety cover
- Plumbing connections size 1/2"
- Can be used with all MDA, MDA, AST, ASTA

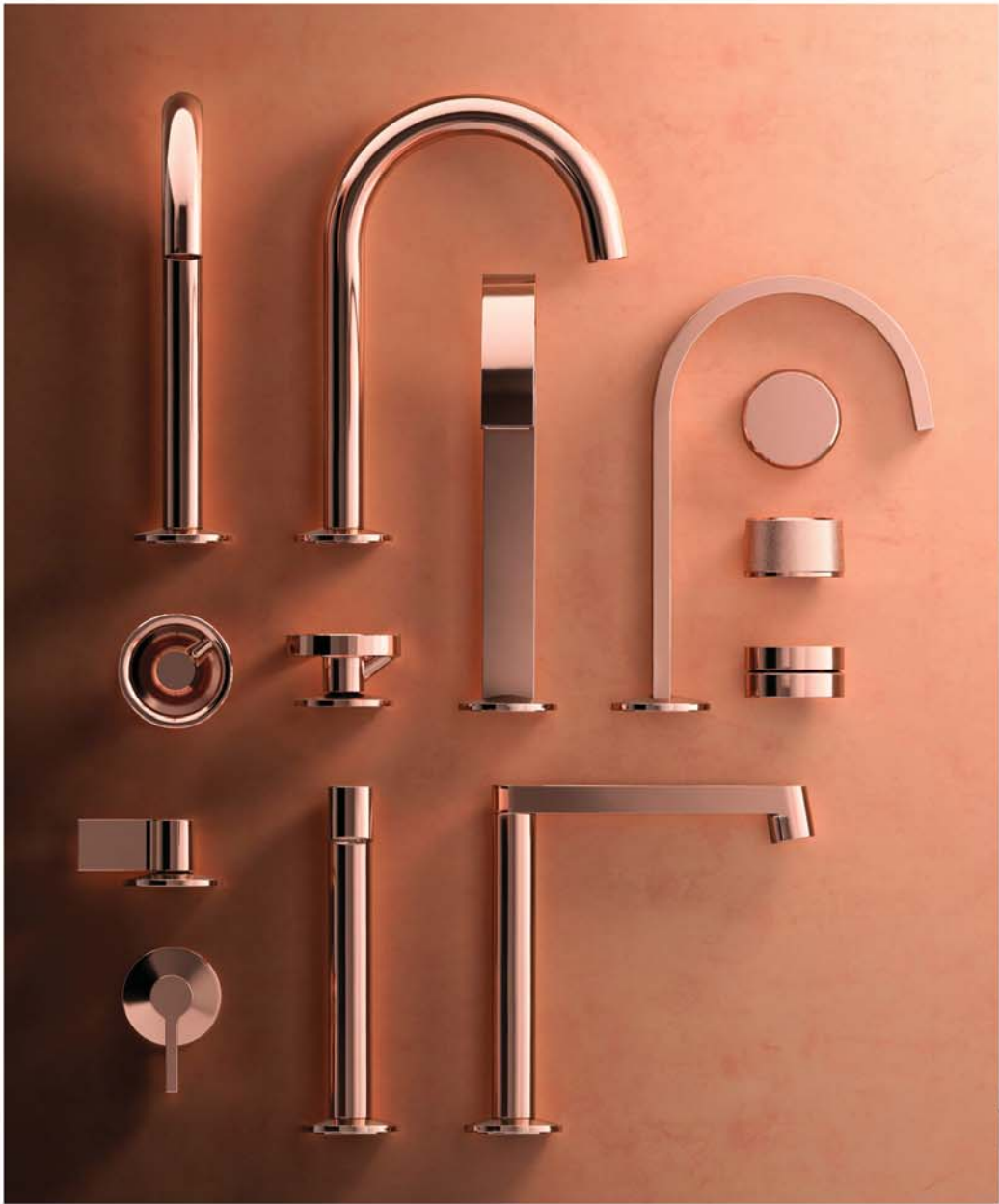


SCA01 | SCA01-S Ø35 Embedded Bathroom Armature Recessed Housing Group

- Special cartridge
- Recessed body with plastic safety cover
- Hot-Cold water installation connection dimensions 3/4" (1/2" can be produced upon request)
- Can be used SCU85, SCU160, SCU35, SCU135, SCU75, SCU65, SCU70, SCU55, SCU130, SCU170, SCU155, SCU105, SCU160-S
- Can be used with Ritmo, Pedra, Nova, Tulio, Felis, Atrós, Espina, Solus, Iris, Florus, Provido, Fuego series related codes

SCA02 | SCA02-S Ø35 Embedded Bathroom Armature Recessed Housing Group

- Special cartridge
- Recessed body with plastic safety cover
- Hot-Cold water installation connection dimensions 3/4" (1/2" can be produced upon request)
- Can be used SCU165 & SCU165-S
- Can be used with Gildo serie related codes



THE ART OF POSSIBILITIES

SOMETIMES A SUBTLE DESIGN ELEMENT CAN TRANSFORM A CLASSIC STYLE INTO SOMETHING MORE TRANSITIONAL OR EVEN MODERN. OUR SMART INNOVATIVE DESIGNS ALLOW FOR STYLING FLEXIBILITY WITH UNIQUE FEATURES AND THOUGHTFULLY DESIGNED ACCESSORIES. ENGINEERING IS OUR CORE. SO, LET DREAMS AND INSPIRATIONS UNFOLD. OUR INTELLIGENT DESIGNS ARE BOTH TIMELESS AND TRENDSETTING. NOT ONLY NOW, BUT FOR THE FUTURE.



Turkish Manufacturer
Bathroom & Kitchen Faucets
2022 COLLECTION

OVER PLASTER



GPD

Turkish Manufacturer
Bathroom & Kitchen Faucets

2022 COLLECTION

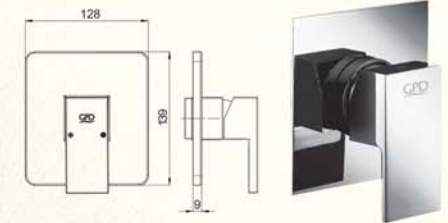
OVER PLASTER

SUD 15 - Qadra

Embedded Bathroom
Over Plaster Grupu

- Square rosette
- Rosette width is 128 mm
- Rosette length is 139 mm
- Rosette height is 9 mm
- Can be used with SAG10

Cartridge Diameter : Ø35
Surface : Chrome

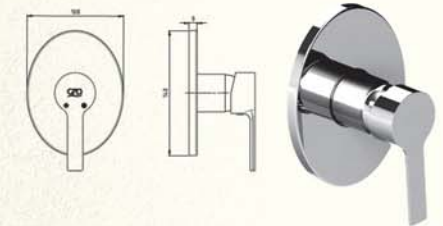


SUD 55 - Solus

Embedded Bathroom
Over Plaster Grupu

- Oval rosette
- Rosette width is 108 mm
- Rosette length is 140 mm
- Rosette height is 9 mm
- Can be used with SAG06

Cartridge Diameter : Ø35
Surface : Chrome

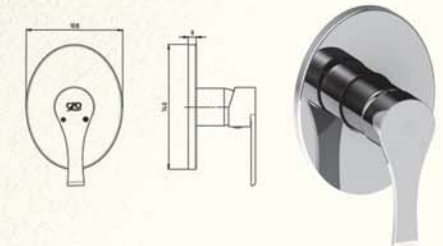


SUD 65 - Atrós

Embedded Bathroom
Over Plaster Grupu

- Oval rosette
- Rosette width is 108 mm
- Rosette length is 140 mm
- Rosette height is 9 mm
- Can be used with SAG06

Cartridge Diameter : Ø35
Surface : Chrome

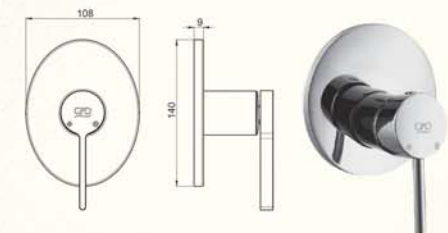


SUD 70 - Espina

Embedded Bathroom
Over Plaster Grupu

- Oval rosette
- Rosette width is 108 mm
- Rosette length is 140 mm
- Rosette height is 9 mm
- Can be used with SAG06

Cartridge Diameter : Ø35
Surface : Chrome



OVER PLASTER

SUD 75 - Felis

Embedded Bathroom
Over Plaster Grupp

- Oval rosette
- Rosette width is 108 mm
- Rosette length is 140 mm
- Rosette height is 9 mm
- Can be used with SAG06

Cartridge Diameter : Ø35
Surface : Chrome

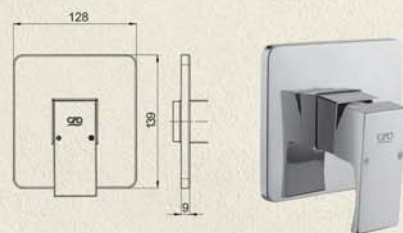


SUD 105 - Fuego

Embedded Bathroom
Over Plaster Grupp

- Square rosette
- Rosette width is 128 mm
- Rosette length is 139 mm
- Rosette height is 9 mm
- Can be used with SAG10

Cartridge Diameter : Ø35
Surface : Chrome

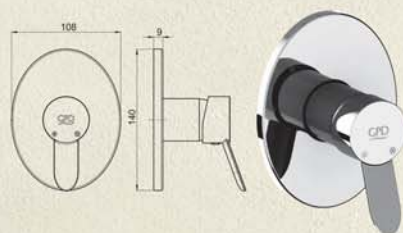


SUD 130 - Iris

Embedded Bathroom
Over Plaster Grupp

- Oval rosette
- Rosette width is 108 mm
- Rosette length is 140 mm
- Rosette height is 9 mm
- Can be used with SAG06

Cartridge Diameter : Ø35
Surface : Chrome

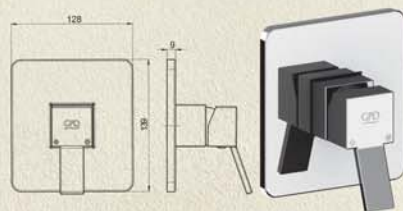


SUD 135 - Tulio

Embedded Bathroom
Over Plaster Grupp

- Square rosette
- Rosette width is 128 mm
- Rosette length is 139 mm
- Rosette height is 9 mm
- Can be used with SAG10

Cartridge Diameter : Ø35
Surface : Chrome



GPD

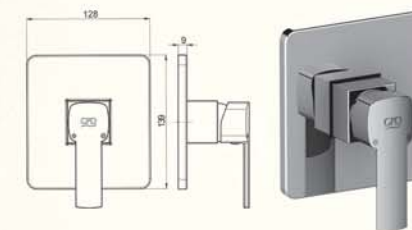
OVER PLASTER

SUD 160 - Pedra

Embedded Bathroom
Over Plaster Grupp

- Square rosette
- Rosette width is 128 mm
- Rosette length is 139 mm
- Rosette height is 9 mm
- Can be used with SAG10

Cartridge Diameter : Ø35
Surface : Chrome

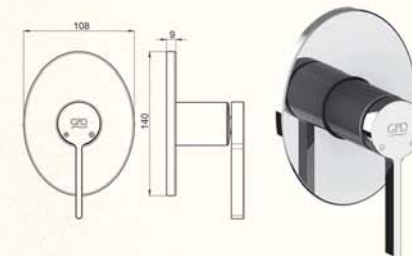


SUD 165 - Gildo

Embedded Bathroom
Over Plaster Grupp

- Oval rosette
- Rosette width is 108 mm
- Rosette length is 140 mm
- Rosette height is 9 mm
- Can be used with SAG11

Cartridge Diameter : Ø35
Surface : Chrome

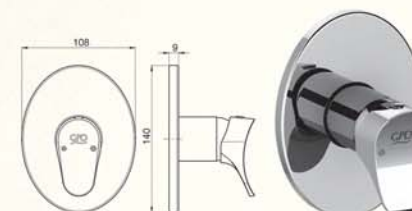


SUD 170 - Florus

Embedded Bathroom
Over Plaster Grupp

- Oval rosette
- Rosette width is 108 mm
- Rosette length is 140 mm
- Rosette height is 9 mm
- Can be used with SAG06

Cartridge Diameter : Ø35
Surface : Chrome



Turkish Manufacturer
Bathroom & Kitchen Faucets
2022 COLLECTION

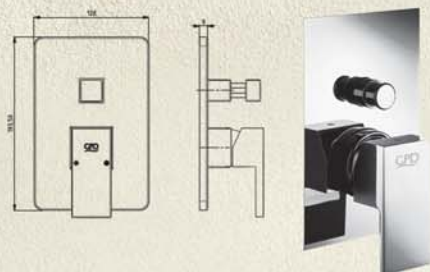
OVER PLASTER

SUG 15 - Qadra

Embedded Bathroom Over Plaster Grupp

- Square rosette
- Rosette width is 128 mm
- Rosette length is 193.5 mm
- Rosette height is 9 mm
- Can be used with SAG01

Cartridge Diameter : Ø35
Surface : Chrome



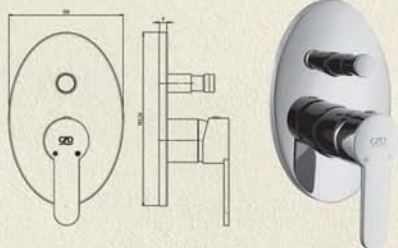
GPD

SUG 35 - Nova

Embedded Bathroom Over Plaster Grupp

- Oval rosette
- Rosette width is 128 mm
- Rosette length is 193.5 mm
- Rosette height is 9 mm
- Can be used with SAG02

Cartridge Diameter : Ø40
Surface : Chrome

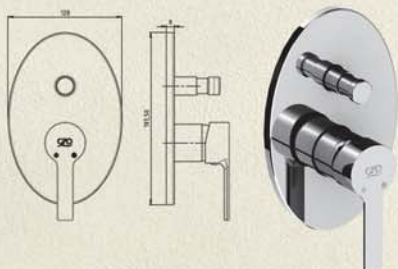


SUG 55 - Solus

Embedded Bathroom Over Plaster Grupp

- Oval rosette
- Rosette width is 128 mm
- Rosette length is 193.5 mm
- Rosette height is 9 mm
- Can be used with SAG03

Cartridge Diameter : Ø35
Surface : Chrome

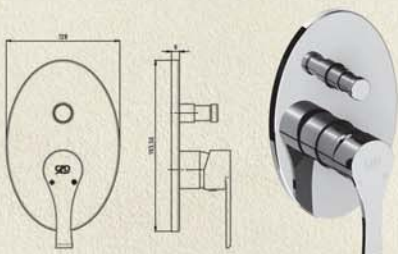


SUG 65 - Atrios

Embedded Bathroom Over Plaster Grupp

- Oval rosette
- Rosette width is 128 mm
- Rosette length is 193.5 mm
- Rosette height is 9 mm
- Can be used with SAG03

Cartridge Diameter : Ø35
Surface : Chrome



OVER PLASTER

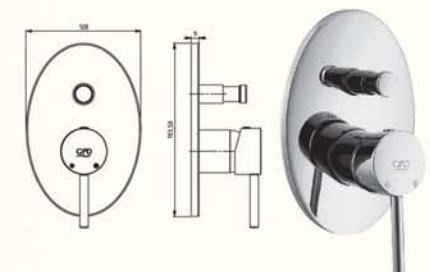
Turkish Manufacturer
Bathroom & Kitchen Faucets
2022 COLLECTION

SUG 70 - Espina

Embedded Bathroom Over Plaster Grupp

- Oval rosette
- Rosette width is 128 mm
- Rosette length is 193.5 mm
- Rosette height is 9 mm
- Can be used with SAG03

Cartridge Diameter : Ø35
Surface : Chrome

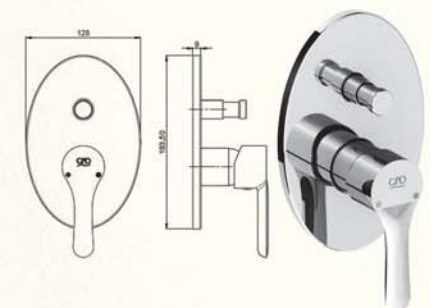


SUG 75 - Felis

Embedded Bathroom Over Plaster Grupp

- Oval rosette
- Rosette width is 128 mm
- Rosette length is 193.5 mm
- Rosette height is 9 mm
- Can be used with SAG03

Cartridge Diameter : Ø35
Surface : Chrome

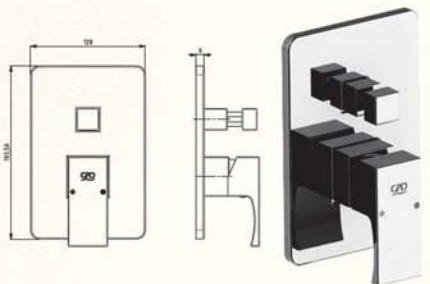


SUG 105 - Fuego

Embedded Bathroom Over Plaster Grupp

- Square rosette
- Rosette width is 128 mm
- Rosette length is 193.5 mm
- Rosette height is 9 mm
- Can be used with SAG01

Cartridge Diameter : Ø35
Surface : Chrome



OVER PLASTER



SUG 130 - Iris

Embedded Bathroom
Over Plaster Grupp

- Oval rosette
- Rosette width is 128 mm
- Rosette length is 193.5 mm
- Rosette height is 9 mm
- Can be used with SAG03

Cartridge Diameter : Ø35
Surface : Chrome

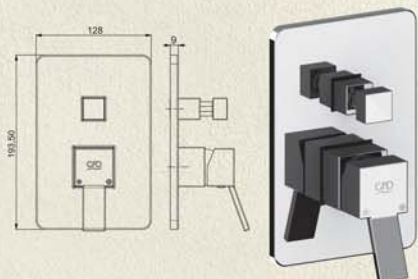


SUG 135 - Tulio

Embedded Bathroom
Over Plaster Grupp

- Square rosette
- Rosette width is 128 mm
- Rosette length is 193.5 mm
- Rosette height is 9 mm
- Can be used with SAG01

Cartridge Diameter : Ø35
Surface : Chrome

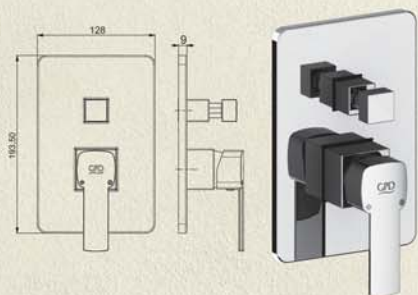


SUG 160 - Pedra

Embedded Bathroom
Over Plaster Grupp

- Square rosette
- Rosette width is 128 mm
- Rosette length is 193.5 mm
- Rosette height is 9 mm
- Can be used with SAG01

Cartridge Diameter : Ø35
Surface : Chrome



OVER PLASTER

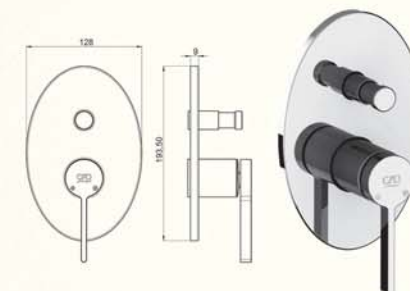
Turkish Manufacturer
Bathroom & Kitchen Faucets
2022 COLLECTION

SUG 165 - Gildo

Embedded Bathroom
Over Plaster Grupp

- Oval rosette
- Rosette width is 128 mm
- Rosette length is 193.5 mm
- Rosette height is 9 mm
- Can be used with SAG12

Cartridge Diameter : Ø35
Surface : Chrome

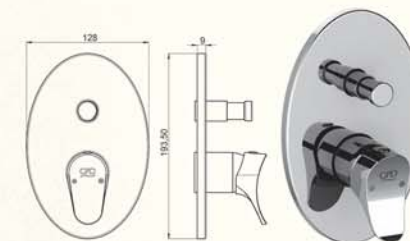


SUG 170 - Florus

Embedded Bathroom
Over Plaster Grupp

- Oval rosette
- Rosette width is 128 mm
- Rosette length is 193.5 mm
- Rosette height is 9 mm
- Can be used with SAG03

Cartridge Diameter : Ø35
Surface : Chrome

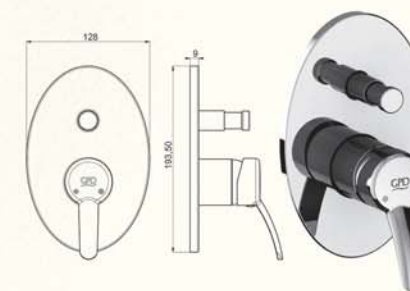


SUG 175 - Primula

Embedded Bathroom
Over Plaster Grupp

- Oval rosette
- Rosette width is 128 mm
- Rosette length is 193.5 mm
- Rosette height is 9 mm
- Can be used with SAG02

Cartridge Diameter : Ø35
Surface : Chrome



OVER PLASTER



OVER PLASTER

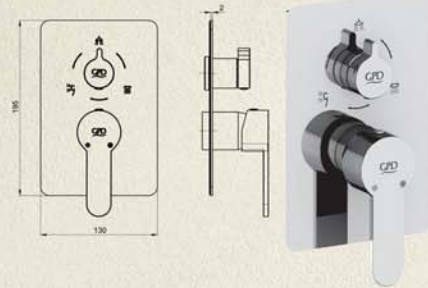
Turkish Manufacturer
Bathroom & Kitchen Faucets
2022 COLLECTION

SCU 35 NOVA

Embedded Bathroom
Over Plaster Grupp

- Stainless chrome-nickel plated rosette
- Rosette width is 195 mm
- Rosette length is 130 mm
- Rosette height 2 mm
- Sub divertor group shown is picture is not included
- Can be used SCA01

Cartridge Diameter : Ø35
Surface : Chrome

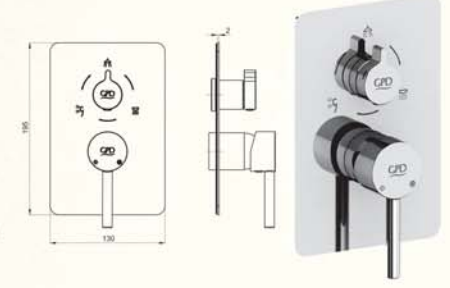


SCU 70 ESPINA

Embedded Bathroom
Over Plaster Grupp

- Stainless chrome-nickel plated rosette
- Rosette width is 195 mm
- Rosette length is 130 mm
- Rosette height 2 mm
- Sub divertor group shown is picture is not included
- Can be used SCA01

Cartridge Diameter : Ø35
Surface : Chrome

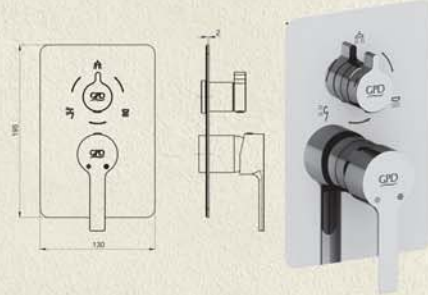


SCU 55 SOLUS

Embedded Bathroom
Over Plaster Grupp

- Stainless chrome-nickel plated rosette
- Rosette width is 195 mm
- Rosette length is 130 mm
- Rosette height 2 mm
- Sub divertor group shown is picture is not included
- Can be used SCA01

Cartridge Diameter : Ø35
Surface : Chrome

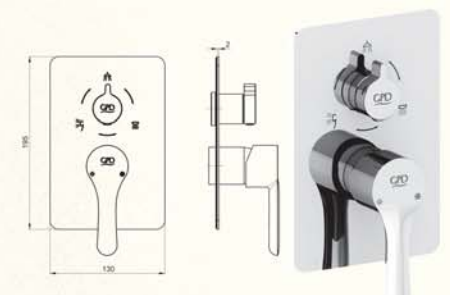


SCU 75 FELIS

Embedded Bathroom
Over Plaster Grupp

- Stainless chrome-nickel plated rosette
- Rosette width is 195 mm
- Rosette length is 130 mm
- Rosette height 2 mm
- Sub divertor group shown is picture is not included
- Can be used SCA01

Cartridge Diameter : Ø35
Surface : Chrome

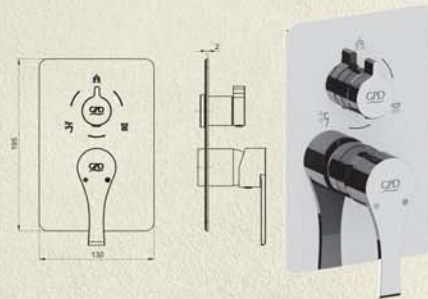


SCU 65 ATROS

Embedded Bathroom
Over Plaster Grupp

- Stainless chrome-nickel plated rosette
- Rosette width is 195 mm
- Rosette length is 130 mm
- Rosette height 2 mm
- Sub divertor group shown is picture is not included
- Can be used SCA01

Cartridge Diameter : Ø35
Surface : Chrome

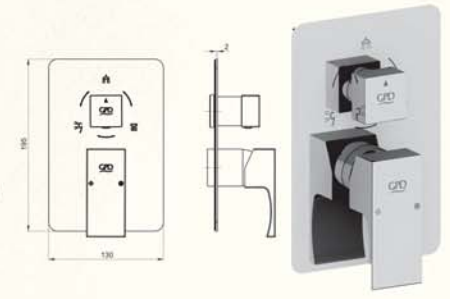


SCU 105 FUEGO

Embedded Bathroom
Over Plaster Grupp

- Stainless chrome-nickel plated rosette
- Rosette width is 195 mm
- Rosette length is 130 mm
- Rosette height 2 mm
- Sub divertor group shown is picture is not included
- Can be used SCA01

Cartridge Diameter : Ø35
Surface : Chrome



OVER PLASTER

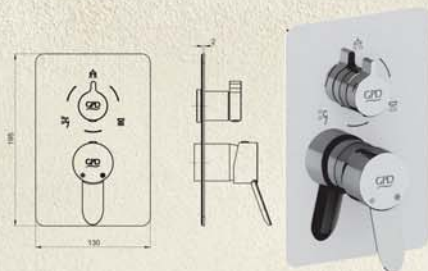


SCU 130 IRIS

Embedded Bathroom Over Plaster Gruop

- Stainless chrome-nickel plated rosette
- Rosette width is 195 mm
- Rosette length is 130 mm
- Rosette height 2 mm
- Sub diverter group shown in picture is not included
- Can be used SCA01

Cartridge Diameter : Ø35
Surface : Chrome

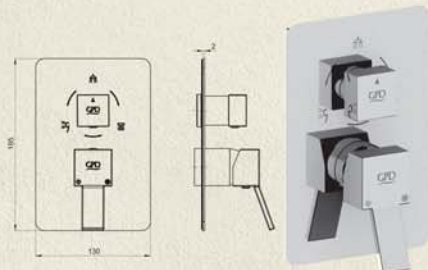


SCU 135 TULIO

Embedded Bathroom Over Plaster Gruop

- Stainless chrome-nickel plated rosette
- Rosette width is 195 mm
- Rosette length is 130 mm
- Rosette height 2 mm
- Sub diverter group shown in picture is not included
- Can be used SCA01

Cartridge Diameter : Ø35
Surface : Chrome

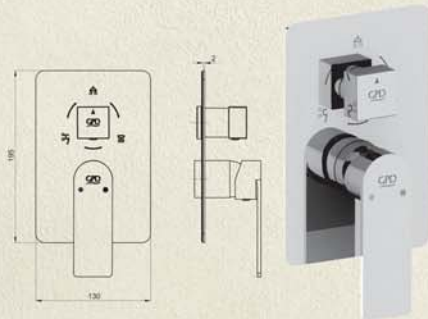


SCU 155 PROVIDO

Embedded Bathroom Over Plaster Gruop

- Stainless chrome-nickel plated rosette
- Rosette width is 195 mm
- Rosette length is 130 mm
- Rosette height 2 mm
- Sub diverter group shown in picture is not included
- Can be used SCA01

Cartridge Diameter : Ø35
Surface : Chrome

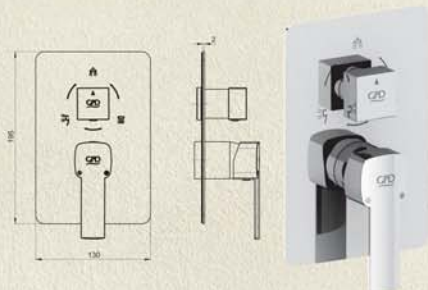


SCU 160 PEDRA

Embedded Bathroom Over Plaster Gruop

- Stainless chrome-nickel plated rosette
- Rosette width is 195 mm
- Rosette length is 130 mm
- Rosette height 2 mm
- Sub diverter group shown in picture is not included
- Can be used SCA01

Cartridge Diameter : Ø35
Surface : Chrome



OVER PLASTER

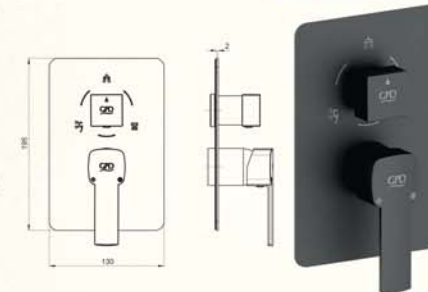
Turkish Manufacturer
Bathroom & Kitchen Faucets
2022 COLLECTION

SCU 160-S PEDRA

Embedded Bathroom Over Plaster Gruop

- Stainless chrome-nickel plated rosette
- Rosette width is 195 mm
- Rosette length is 130 mm
- Rosette height 2 mm
- Sub diverter group shown in picture is not included
- Can be used SCA01-S

Cartridge Diameter : Ø35
Surface : Black

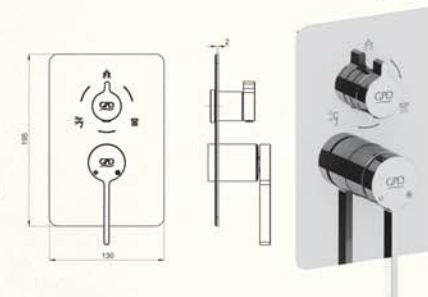


SCU 165 GILDO

Embedded Bathroom Over Plaster Gruop

- Stainless chrome-nickel plated rosette
- Rosette width is 195 mm
- Rosette length is 130 mm
- Rosette height 2 mm
- Sub diverter group shown in picture is not included
- Can be used SCA01

Cartridge Diameter : Ø35
Surface : SCA02

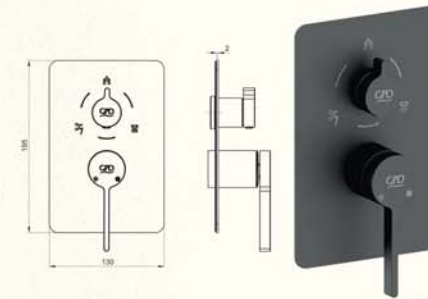


SCU 165-S GILDO

Embedded Bathroom Over Plaster Gruop

- Stainless chrome-nickel plated rosette
- Rosette width is 195 mm
- Rosette length is 130 mm
- Rosette height 2 mm
- Sub diverter group shown in picture is not included
- Can be used SCA02-S

Cartridge Diameter : Ø35
Surface : Black

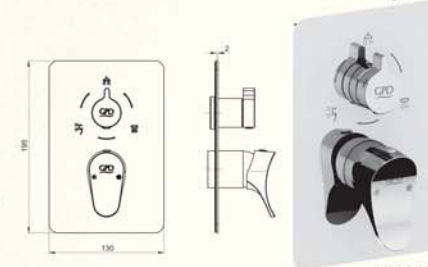


SCU 170 FLORUS

Embedded Bathroom Over Plaster Gruop

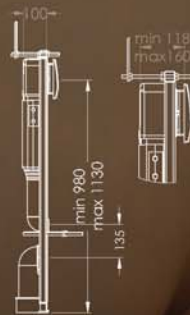
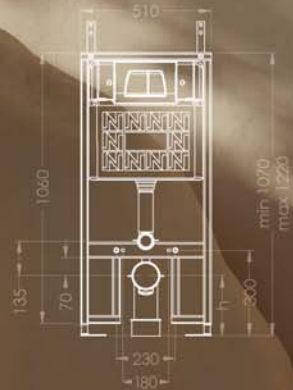
- Stainless chrome-nickel plated rosette
- Rosette width is 195 mm
- Rosette length is 130 mm
- Rosette height 2 mm
- Sub diverter group shown in picture is not included
- Can be used SCA01

Cartridge Diameter : Ø35
Surface : Chrome

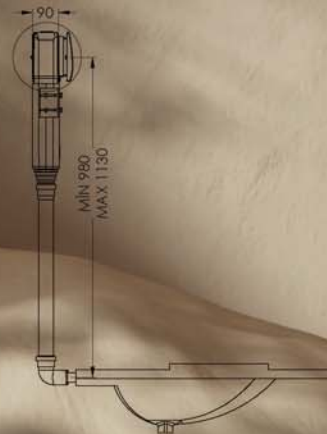
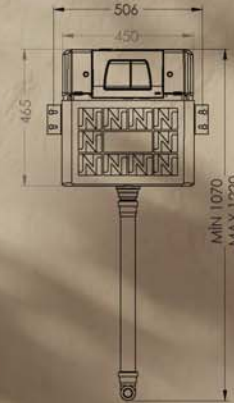




RZV 03
In wall Concealed
Mechanism



RZV 02
In wall Concealed
Mechanism



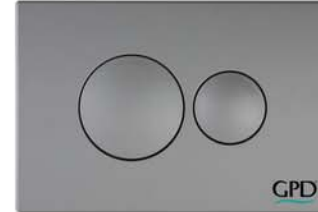
CONCEALED
CISTERN

Turkish Manufacturer
Bathroom & Kitchen Faucets

2022 COLLECTION



BTN 05
Square
Matt Chrome Button



BTN 01
Round
Matt Chrome Button



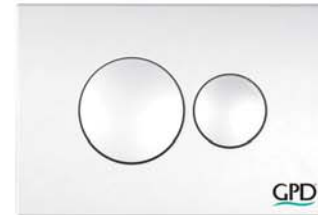
BTN 06
Square
Chrome Button



BTN 02
Round
Chrome Button



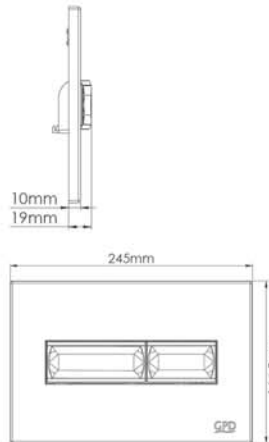
BTN 07
Square
White Button



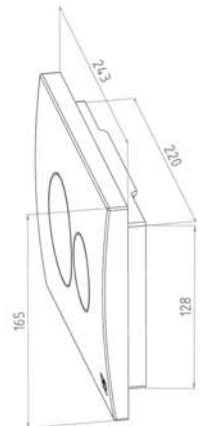
BTN 03
Round
White Button



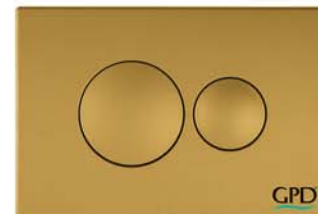
BTN 08
Square
Black Button



BTN 04
Round
Black Button



BTN 10
Square
Gold Button



BTN 09
Round
Gold Button





ATMOSPHERIC & STYLISH

YOUR BATHROOM FAUCETS SAY A LOT ABOUT YOU. THE QUALITY, THE DESIGN, THE MATERIALS, AND NOWHERE WILL YOU FIND A MORE FLATTERING REFLECTION OF YOUR PERSONAL STYLE AND GOOD TASTE THAN IN OUR WIDE RANGE OF STAINLESS BATHROOM FAUCET. SUPERIOR STEEL AND EXTRA CONVENIENT FEATURES. OUR FAUCET STAND UP TO YOUR BATHROOM'S TOUGHEST DEMANDS, AND WHILE THEY'RE PERFECT FOR EVERY DAY USE, YOU'LL FIND THEIR APPEAL ENDURES YEAR AFTER YEAR.

GPD

Turkish Manufacturer
Bathroom & Kitchen Faucets
2022 COLLECTION

SUPPLEMENTARY PRODUCTS



GPD

Turkish Manufacturer
Bathroom & Kitchen Faucets

2022 COLLECTION

SUPPLEMENTARY PRODUCTS

ADS 02

Embedded Shower Head
Ø97 (with 3 Functions)

- 3 Functions (Ø97 mm)
- With lime breaker
- Massage effect
- Bend distance is 140 mm
- Brass pipe group



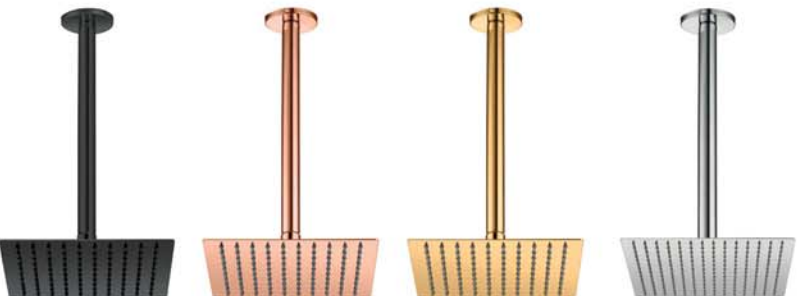
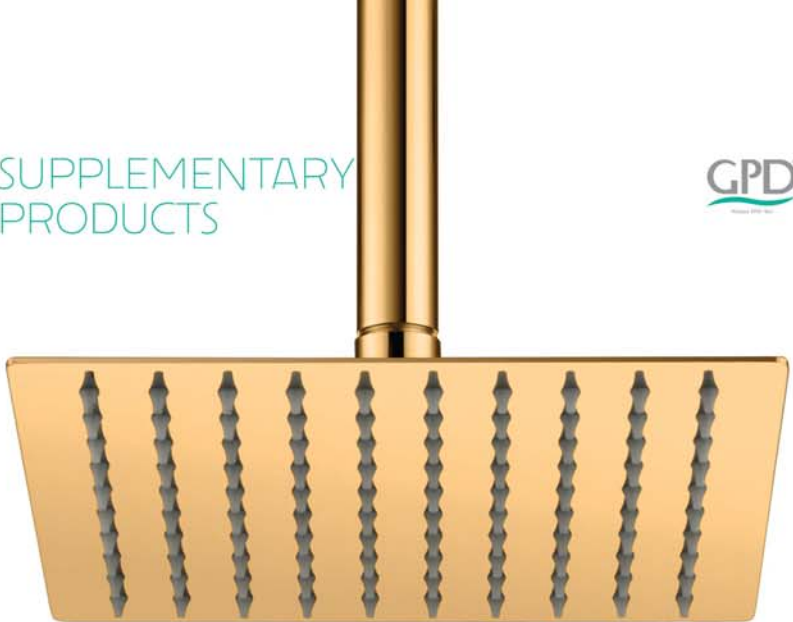
ADS 03

Embedded Shower Head
Ø85 (with 5 Functions)

- 5 Functions (Ø85 mm)
- With lime breaker
- Massage effect
- Bend distance is 140 mm
- Brass pipe group



SUPPLEMENTARY PRODUCTS



Embedded Shower Head

- Embedded shower head with rain flow
- Bend distance is 300mm

ADS 10	ADS 15	ADS 21	ADS 23
Size : 200*200	Size : 250*250	Size : 300*300	Size : 400*400

Embedded Shower Head

- Embedded shower head with rain flow
- Bend distance is 300mm

ADS 17-A	ADS 19-A	ADS 21-A	ADS 23-A
Size : 200*200	Size : 250*250	Size : 300*300	Size : 400*400

Embedded Shower Head

- Embedded shower head with rain flow
- Bend distance is 300mm

ADS 17-R	ADS 19-R	ADS 21-R	ADS 23-R
Size : 200*200	Size : 250*250	Size : 300*300	Size : 400*400

Embedded Shower Head

- Embedded shower head with rain flow

ADS 17-S	ADS 19-S	ADS 21-S	ADS 23-S
Size : 200*200	Size : 250*250	Size : 300*300	Size : 400*400

SUPPLEMENTARY PRODUCTS

Turkish Manufacturer
Bathroom & Kitchen Faucets
2022 COLLECTION



Embedded Shower Head

- Embedded shower head with rain flow
- Bend distance is 300mm

ADS 11	ADS 16	ADS 22	ADS 24
Size : 0200	Size : 0250	Size : 0300	Size : 0400

Embedded Shower Head

- Embedded shower head with rain flow
- Bend distance is 300mm

ADS 18-A	ADS 20-A	ADS 22-A	ADS 24-A
Size : 0200	Size : 0250	Size : 0300	Size : 0400

Embedded Shower Head

- Embedded shower head with rain flow
- Bend distance is 300mm

ADS 18-R	ADS 20-R	ADS 22-R	ADS 24-R
Size : 0200	Size : 0250	Size : 0300	Size : 0400

Embedded Shower Head

- Embedded shower head with rain flow
- Bend distance is 300mm

ADS 18-S	ADS 20-S	ADS 22-S	ADS 24-S
Size : 0200	Size : 0250	Size : 0300	Size : 0400

SUPPLEMENTARY PRODUCTS



Embedded Shower Head

- Embedded shower head with rain flow
- Bend distance is 400 mm
- Brass pipe group

ADS 05 | **ADS 13**
 Size : 200*200 | Size : 250*250



Embedded Shower Head

- Embedded shower head with rain flow
- Bend distance is 400 mm
- Brass pipe group

ADS 27-R | **ADS 29-R**
 Size : 200*200 | Size : 250*250



Embedded Shower Head

- Embedded shower head with rain flow
- Bend distance is 400 mm
- Brass pipe group

ADS 27-S | **ADS 29-S**
 Size : 200*200 | Size : 250*250



Embedded Shower Head

- Embedded shower head with rain flow
- Bend distance is 400 mm
- Brass pipe group

ADS 27-A | **ADS 29-A**
 Size : 200*200 | Size : 250*250



SUPPLEMENTARY PRODUCTS

Turkish Manufacturer
 Bathroom & Kitchen Faucets
 2022 COLLECTION

Embedded Shower Head

- Embedded shower head with rain flow
- Bend distance is 400 mm
- Brass pipe group

ADS 07 | **ADS 14**
 Size : Ø200 | Size : Ø250



Embedded Shower Head

- Embedded shower head with rain flow
- Bend distance is 400 mm
- Brass pipe group

ADS 28-R | **ADS 30-R**
 Size : Ø200 | Size : Ø250



Embedded Shower Head

- Embedded shower head with rain flow
- Bend distance is 400 mm
- Brass pipe group

ADS 28-S | **ADS 30-S**
 Size : Ø200 | Size : Ø250



Embedded Shower Head

- Embedded shower head with rain flow
- Bend distance is 400 mm
- Brass pipe group

ADS 28-A | **ADS 30-A**
 Size : Ø200 | Size : Ø250



SUPPLEMENTARY PRODUCTS



DST 41
Shower Set with Hanger
3 Functions 120x125

- 3 Functions (White front side)
- With lime breaker
- Massage effect
- 150 cm spiral hose (1/2"-1/2")
- with 1/2"-3/4" adaptor



DST 13
Suspended Shower Set
with 5 Functions Ø120

- 5 Functions with lime breaker
- Massage effect
- 150 cm spiral hose (1/2" - 1/2") (360° tangle free system)
- with 1/2" - 3/4" adaptor



DST 56-S
Suspended Shower Set
with 3 Functions Ø125

- 3 Functions
- Hand shower function switch is provided by push button
- With lime breaker
- Massage effect
- 150 cm spiral hose (1/2" - 1/2")



SUPPLEMENTARY PRODUCTS

Turkish Manufacturer
Bathroom & Kitchen Faucets
2022 COLLECTION

DST 26
Suspended Shower Set
(Single Function 45x70)

- Square design hand shower and hanger
- Single function
- with lime breaker
- Massage effect
- 150 cm spiral hose (1/2"-1/2") (360° tangle free system)
- with 1/2"-3/4" adaptor



DST 29-O
Suspended Shower Set
(Single Function Ø78)

- Single function
- 150 cm spiral hose
- with 1/2"-3/4" adaptor
- special coating with copper retro style



DST60-S | DST60
Suspended Shower Set
(Single Function Ø78)

- Single function
- with lime breaker
- Massage effect
- 150 cm spiral hose (1/2"-1/2") (360° tangle free system)
- with 1/2"-3/4" adaptor



SUPPLEMENTARY PRODUCTS



DST 19-3

Shower Set
Single Function with
Hand Shower+200*200

- Hand shower with single functions
- Shower head with rain flow (200*200)
- 150cm spiral hose for hand shower also spiral hose for armature (360° tangle free system)
- Diverting unit to shower head or the hand shower head (brass)
- Stainless set with sliding



DST 19-3-S

Shower Set
Single Function with
Hand Shower +200*200

- Hand shower with single functions
- Shower head with rain flow (200*200)
- 150cm spiral hose for hand shower also spiral hose for armature (360° tangle free system)
- Diverting unit to shower head or the hand shower head (brass)
- Stainless set with sliding



SUPPLEMENTARY PRODUCTS

Turkish Manufacturer
Bathroom & Kitchen Faucets
2022 COLLECTION

DST 19-2-S

Shower Set
3 Function with
Hand Shower+Ø200

- Hand shower with 3 functions
- Shower head with rain flow (Ø200)
- 150cm spiral hose for hand shower also spiral hose for armature (360° tangle free system)
- Diverting unit to shower head or the hand shower head (brass)
- Stainless set with sliding



DST 19-2

Shower Set
3 Function with
Hand Shower+Ø200

- Hand shower with 3 functions
- Shower head with rain flow (Ø200)
- 150cm spiral hose for hand shower also spiral hose for armature (360° tangle free system)
- Diverting unit to shower head or the hand shower head (brass)
- Stainless set with sliding



SUPPLEMENTARY PRODUCTS



STS 02

Spiral Bidet Set

- M24X1 aerator
- with 3/4"-1/2"
- Length of spiral hose: 100 cm



STB 01

Spiral Hose

- Length of spiral hose: 150 cm



PUP 05

Pop-Up Unit (Click-Clack)

- Suitable with washbasins without overflow holes
- G 1 1/4" connection



SFN 01 Trap

- G 1 1/4" entrance
 - Metal handbasin
 - Between washbasin trap center and wall is minimum 76 maximum 325 mm
 - Suitability of the sizes to the washbasin has to be checked
 - Suitable with PUP 01, PUP 02 PUP 03, PUP 04 and PUP 05
- Surface:** Chrome



SUPPLEMENTARY PRODUCTS

Turkish Manufacturer
Bathroom & Kitchen Faucets

2022 COLLECTION

STS 04-A

Spray Bidet Set Brass Round shape without reduction

- Brass hand shower and hanger
- Stainless steel spiral hose 100 cm
- Water outlet can be obtained from hand shower by adapting it on the systems that do not have interval tap



STS 05 | STS 06

Spray Bidet Set

- 360° rotating hose structure
- spiral hose 120 cm (1/2"-1/4")
- can be converted to 1/2" or 3/8" (With reduction)
- Continues flow capability when the latch is pushed counter clock wise)
- Slow and fast flow



STS 04 | STS 07-S

Spray Bidet Set (without reduction)

- Brass hand shower and hanger
- Stainless steel spiral hose 100 cm
- With 3/8"- 1/2" adaptor
- Water outlet can be obtained from hand shower by adapting it on the systems that do not have interval tap



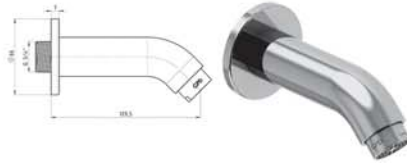
SUPPLEMENTARY PRODUCTS



GGR 01

Spout Group without Diverter

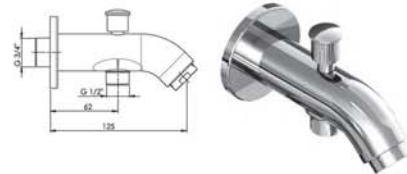
- Special water saving aerator m28x1 (Bubble flow, with lime breaker, Flow rate: 16 lt/min)
- Length of spout is 129,5 mm
- Rosette diameter Ø66 m
- Wall connection nipple 3/4", suitable for 1/2" nipple connection



GGR 08

Spout Group with Diverter

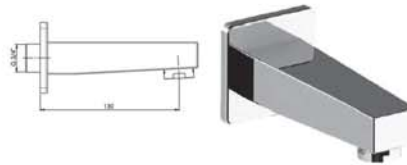
- Special water saving aerator m28x1 (Bubble flow, with lime breaker, Flow rate: 16 lt/min)
- Diverter with locking system
- Length of spout is 125 mm
- Rosette diameter Ø66 m
- Wall connection nipple 3/4", suitable for 1/2" nipple connection



GGR 13

Spout Group without Diverter

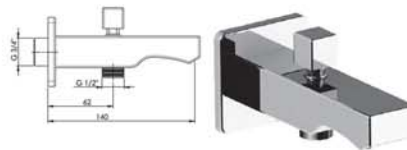
- Special water saving aerator m28x1 (Bubble flow, with lime breaker, Flow rate: 16 lt/min)
- Length of spout is 130 mm
- Rosette diameter Ø66 m
- Wall connection nipple 3/4", suitable for 1/2" nipple connection



GGR 14

Spout Group with Diverter

- Natural Water flow, without aerator
- Length of spout is 140 mm
- Rosette diameter Ø66 m
- Wall connection nipple 3/4" suitable for 1/2" nipple connection



GGR24

Spout Group without Diverter (Rectangle)

- Special water saving aerator M24x1 (Bubble flow, with lime breaker, flow rate:12lt/min)
- Length of outlet is 131 mm
- Rosette dimension ø66 mm
- Wall connection nipple 3/4", suitable for 1/2" nipple connection



SUPPLEMENTARY PRODUCTS

Turkish Manufacturer
Bathroom & Kitchen Faucets

2022 COLLECTION

GGR23

Spout Group without Diverter (Round)

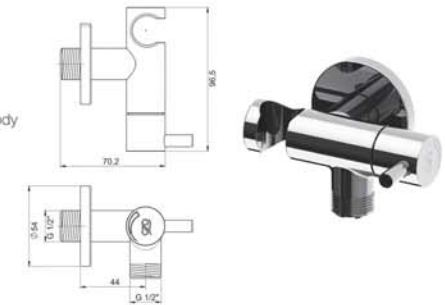
- Special water saving aerator M24x1 (Bubble flow, with lime breaker, flow rate:12lt/min)
- Length of outlet is 130 mm
- Rosette dimension ø66 mm
- Wall connection nipple 3/4", suitable for 1/2" nipple connection



STM70

Espina Spray Bidet Set

- Spray bidet set hanger and interval tap in the same body
- Rosette diameter Ø54 mm
- 90° ceramic stemmer
- Size suitable for 1/2" spiral hose connection
- Tap wall connection size is 1/2"



DC 01

Square Hanger

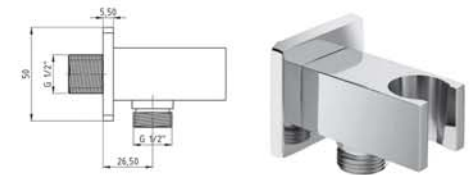
- Square hanger for hand shower



DCD 01

Shower Outlet (Square)

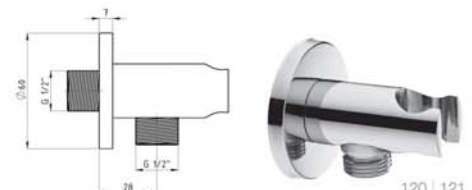
- Installation connection G 1/2" for hand shower
- Shower outlet connection G 1/2"



DCD 02

Shower Outlet (Round)

- Installation connection G 1/2" for hand shower
- Shower outlet connection G 1/2"



SUPPLEMENTARY PRODUCTS



DBD 02

Horizontal Arm for Wall Mounted Shower Head

- Square design



DBD 01

Horizontal Arm for Wall Mounted Shower Head

- Round design



DBS 01 | DBS 02

Vertical Arm for Ceiling Mounted Shower Head

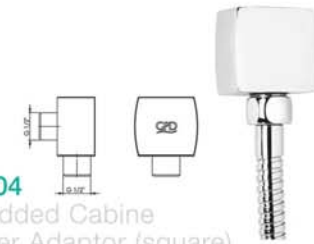
- Square design | • Round design



GGR 04

Embedded Cabine Shower Adaptor (square)

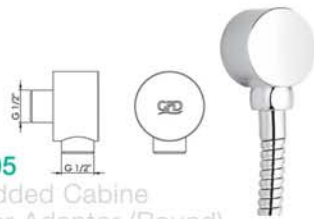
- It can be used together with embedded armatures by connecting on the water outlet of the fitting (only when water outlet is required for the hand shower)
- Wall connection nipple 1/2"



GGR 05

Embedded Cabine Shower Adaptor (Round)

- It can be used together with embedded armatures by connecting on the water outlet of the fitting (only when water outlet is required for the hand shower)
- Wall connection nipple 1/2"



TERMS OF WARRANTY:

- Warranty period starts from the delivery date and it is as mentioned below
 - The product is under the scope of our company's guarantee inclusive of all parts of the product.
 - When the product breaks down during the warranty period, the time spent for the repairing of the product is added to the warranty period.
- The repairing of the product is 20 days maximum. This period starts when the malfunction of the product is informed to the service station, in case there is not any service station available, then it starts from the notification date to either one of the selling agent, dealer, agency, representative, importer or to the manufacturer - producer of the product. The consumer can make breakdown reporting; by telephone, fax, e-mail, registered and reply paid letter or qual ways. In case of any dispute, obligation of prof belongs to the consumer.
- In case the malfunction of the product could not be repaired within 10 days, then the manufacturer-producer or the importer of the product is obliged to provide another product with similar features to the consumer until the faulty product is repaired.
 - When the product breaks down due to material and labour or due to assembly faults within the guarantee period, the product will be repaired without applying any charge for labour costs, costs of the part changed or for any reason.
 - Although the consumer uses repair rights, if the product break down twice in one year due to the same fault or different malfunction takes place more than four times within a year, with the condition that these take place within the guarantee period from the date product is delivered to the consumer or total of different break downs exceeds six times within the guarantee period and provided that the non use of product becomes continuous and the maximum time limit for repairs is exceeded, then the following can be requested; consumer can request for exchange of the product free of charge, request for refund of the amount, reduction in the amount in relation to the failure when it is determined that the malfunction can not be repaired with a report that is prepared by the service station related to the product, in case there is not any service station available, by either one of the selling agent, dealer, agency, representative, importer or to the manufacturer - producer of the product.
 - Malfunctions taking place due to the use that is other than the ones stated in the operating manual of the product will not be covered under the scope of warranty. When there is any conflict elth regards to the guarantee certificate, application can be made to the Protection of the Consumer and Competition General Directory.

WARRANTY PERIOD:

- Faucet and manually operated (with Cartridge / Gasket): 12(Twelve) Years
- Electronically operated (Photocell) armatures: Body and Chrome casing: 5(Five) Years, Functional pieces: 2(Two) Years
- Thermostat operated (Thermostatic) armatures: 5 (Five) Years
- Valves: 5(Five) Years
- Shower Systems: 5(Five) Years
- GPD Antik: 2(Two) Years
- PVD Gold, PVD Rose Gold,Black,Granite ve Copper Plated products: 2(Two) Years
- Plastic products: 5(Five) Years

CONDITIONS OUTSIDE OF THE SCOPE OF THE WARRANTY

- Faults occurred due to wron installation and usage contrary to the user's manual.
- Faults taking place due to wron installation available or due to faulty mounting of the product by the consumer other tahn authorised service
- Possible problems occurring on the installations that do not have pressure regulation (installations, where water pressure regulation or water pressurisation units are used) (ideal operation pressure between 3-4 bar
- Possible problems occurring due to sand, sludge, carvas, construction residues because of the non of intermediate tap with filter and filter.
- Possinle problems occurring due to dropping or being impacted during handling, loading, unloading and mounting
- Possible problmes occurring on the syrface of the products that wait for long times at the construction sites.
- Break downs occurring due to misuse or hard use.
- Problems related to scaling
- Deformations taking place due to use of acids or cleaning materials that contain avrasive substances
- Break downs occurring due to use of parts that are nor original spare parts
- Parts, casings, cartridges that crack due to freezing
- Absence of approved warranty certificate or invoice
- Misuse the products.

TSE COMPLIANCE CERTIFICATES

- | | |
|--|--|
| TS EN 200 TAPS, DOUBLE CONTROL ARMATURES | TS EN 13628 BALL VALVES |
| TS EN 817 SINGLE CONTROL ARMATURES (MIX) | TS EN 331 COMBUSTIBLE GAS BALL VALVE |
| TS EN 1111 THERMOSTATIC ARMATURES | TS EN 1254-3 PIPE CONNECTION UNITS |
| TS EN 15091 PHOTOCCELL ARMATURES | TSE K 8575 3/4" - 1" MAIN TAP |
| TS EN 1213 STOP/BLOW-OFF VALVES | TSE K 225 PIPE CONNECTION UNITS |
| TS 579 RADIATOR VALVE AND UNIONS | TSE K 103 SUBSCRIBER CONNECTION VALVES |
| TS EN 1567 WATER PRESSURE REGULATOR | TS EN 13547 INDUSTRIAL BALL VALVES |
| TS EN 12288 GATE VALVES | |





GPD
PREMIUM
QUALITY